

SAFOR reserve the right to properly change the dimension or the externality without notice if the change has little influence on its function and quality.
And the picture, dimension and color of product are in kind prevail.
在不影响功能及质量的前提下, SAFOR 有适当改动尺寸、外型而不另行通知的权利, 产品图片、尺寸颜色以实物为准。

全国服务热线: 4000 888 036

SAFOR HARDWARE
赛福五金

SAFOR GROUP OF COMPANIES

SAFOR GMBH

Kaiserstr.65 60329 Frankfurt am Main
Phone: +49 (0)69271 3769 19
Fax: +49 (0)69271 3769 19

SAFOR BELGIUM

Rodeheide 86, 3980 Tessenderlo, Belgien
Phone: +32 (0)13 67 29 34
Fax: +32 (0)13 67 29 34

SAFOR HONGKONG

H. K ADD: No.63 Reclamation Street, Kowloon, HongKong
TEL: +852-27826730
Fax: +852-27838713

SAFOR CHINA-SINGAPORE JV.

ADD: No.1 Qiaoxin rd.qiaotou town, Dongguan,China

SAFOR CHINA

ADD: Xiji Economic Development Area, TONGZHOU, BEIJING

WWW.EA-SAFOR.COM



扫一扫[码上精彩]



VER.10A

INTELLIGENT ELECTRONIC LOCK
智能电子锁

华北区域

北京万科天地
北京万科西华府
北京绿地中心
北京紫御华府
北京金茂悦
北京招商臻园
北京紫雨华府
北京顶秀美泉
北京苏家坨
北京远洋万和城
北京鲁能美高梅公馆
天津于家堡
天津名士华庭
天津万科东丽湖赛道
天津万科民和巷
天津万科四季博园
天津万科金域蓝湾
天津万科金域华府
天津万科城市之光
天津万科紫台
天津万科金域国际
天津万科海港城
廊坊华夏香溪园
固安华夏万利丰
呼和浩特恒大绿洲
包头恒大帝景
赤峰恒大华府

华南区域

广州金茂悦
广州金沙洲小区
广州珠江帝景
广州中森御府
广州星河丹邸花城
深圳星河时代花园
深圳宝翠园
深圳汉京半山公馆
深圳溪谷花园
深圳前城滨海花园
深圳星航华府
珠海桃花源山庄
珠海翠湖花园一期、二期
惠州荷兰水乡
惠州润园
惠州星河丹堤
惠州三远怡和园
佛山智慧新城
佛山兆阳御花园
佛山新鸿基
佛山珑景
佛山紫悦台花园
佛山宝利雅苑
云浮百盛城
东莞石竹山水园
三亚蓝海华庭

华中区域

上海万科城
上海万科花园小城
上海保利天鹄语
上海保利星海屿
上海保利悦城
上海保利翡翠公馆
上海保利天琴宇舍
上海恒大滨江华府
杭州合景87#地块
杭州君临天下
杭州中天西域纪
常州嘉宏花园洋房
合肥当代花园
南京奥克斯钟山府
南京涵碧楼
南京旭辉铂悦秦淮
苏州和昌溪花园
苏州华润红橡世家

华东区域

郑州海马九如府
厦门万科湖心岛
厦门名溢花园
漳州万科城
厦门万科云城
泉州万科城
济南绿城兰园
济南重汽翡翠城
济南海尔云世界
南昌万科青山湖

东北区域

沈阳华润置地
沈阳中海国际
沈阳首创光和城
沈阳华润橡树湾
沈阳盛华苑
沈阳泰和龙庭
哈尔滨华润幸福里
哈尔滨北岸润和城
大连华润凯旋城
大连华润海港城
长春万科柏翠园

西北区域

陕西官园壹号
太原华鼎泰富公馆
太原拉菲公馆
太原万科金域蓝湾
太原万科紫郡

西南区域

重庆雅居乐
重庆融创玖玺台
重庆恒大翡翠华庭
重庆恒大御都会
成都珠江新城
成都慕夏四季
成都雅居乐



About us
认识我们

03

Intelligent home
智能家居

05

Core technology
核心技术

07

Fingerprint lock
智能指纹锁

13

Intelligent hotel lock
智能酒店锁

47

Sauna/Bathroom/Cabinet Lock
桑拿、浴室、柜门锁

65

The latest development of more products, please pay attention to the SAFOR...
更多精品, 敬请关注 SAFOR 最新动态...

德国赛福建材集团诞生于以严谨和精密制造享誉全球的德国，主要为建筑行业提供“德国造”精密五金，电子安防以及门控五金三大系统的五金解决方案，自公司成立起至今已经积累十几年的专业五金整体解决方案经验。

Germany SAFOR building material group was originally established in Germany, world-known as rigorous and precise manufacturer. SAFOR mainly provide hardware solutions for construction industry in three main systems: "Made in Germany" precise hardware, electronic security systems and door control hardware systems. Since the establishment of company, SAFOR has engaged in providing the professional and comprehensive solutions for hardware more than ten years.

为了开拓中国市场，德国赛福集团分别在中国香港、北京、深圳、上海等一线城市设立了分支机构。与此同时，德国赛福在北京、广东还建立生产加工和设计中心，致力于 SAFOR 品牌在中国市场的推广，销售和服务。

In order to expand the Chinese market, the Germany SAFOR Group has established branches in Hong Kong, Beijing, Shanghai, Shenzhen and other first-tier cities. Meanwhile, SAFOR has also established production, processing and design centers in Beijing and Guangzhou, which committed to promote, sale and service the "SAFOR" brand.

通过国内外的技术沟通，不断研发，设计新产品，重视技术的创新，并且与建筑设计师和五金生产商以及各个相关领域的客户保持紧密联系，使得 SAFOR 五金产品始终与行业发展潮流保持同步，SAFOR 品牌一直处于行业领导地位。

Through the domestic and abroad technical communication, company continuously researches and develops, designs new products, focuses on technology innovations, in addition keeps in close touch with the building designers and hardware manufacturers as well as the customers of various related fields, all these make SAFOR hardware products always keep in sync with industrial development trends, and allow SAFOR brand be in the leading position in the field.

SAFOR 智能锁自2011年由德国赛福设计监制，在中国生产基地制造，致力于自主研发，设计真正符合日常家居使用的智能生活产品，历经五年多的时间，取得多项相关产品专利及中国超B认证标准证书。

SAFOR's intelligent lock is supervised by the Germany SAFOR designer and produced at Chinese production base since 2011, devoted to the independent research and development, design truly in line with the daily use of smart life products. Over a period of more than five years, SAFOR has obtained several related products patents and Chinese super grade B lock standard certificate.

作为国际市场的引导者，创新主导和设计先驱，德国赛福会秉承一贯的追求卓越的核心理念，为客户提供 360 度的个性解决方案。“Come to us, go further”！

As a market leader, guiding innovator and design pioneer, Germany SAFOR will constantly adhere to the concept of the consistent pursuit of excellence, and provide 360 individual solutions for customers, "Come to us, go further".



We have been deep in the intelligent electronic field and use beyond the realm of self, to create the world famous brand.

我们一直深耕于智能电子领域，用超越自我的境界，为打造世界著名品牌不遗余力。



Open intelligent home

开启专属于您的智能化家居

随着科技的不断革新发展，进入智能化时代，智能化产品也进入每个家庭，智能化家居正成为社会发展的趋势，智能电子锁的出现也是必然，是未来家居不可或缺的重要部分。

With the constant innovation of science and technology development, into the era of intelligence, intelligent products into every family, intelligence changes household is becoming the trend of the development of the society, the advent of intelligent electronic lock is inevitable, is an important part of future home is indispensable.





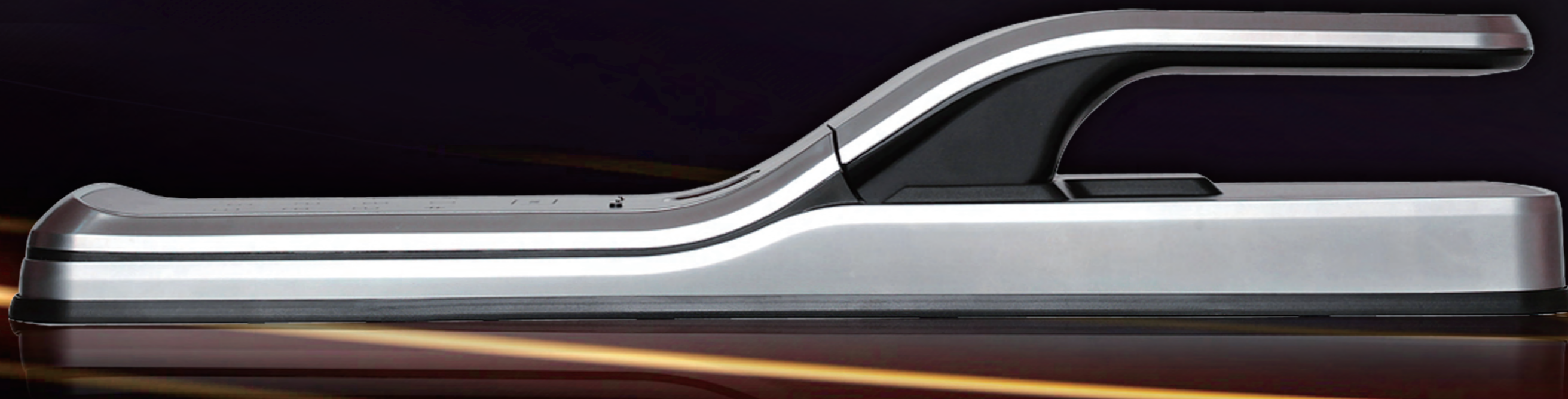
智能新升级

工艺新升级

品质新升级

只有优质的材料，才能进入赛福的视野；苛刻的选材标准时我们始终坚持的理念，如此严格的选材，才能保障高端产品的品质。苛刻，只为更好！

Only high quality materials, can enter the SAFOR's view. Rigorous selection criteria we always adhere to the concept, so strict material selection, in order to guarantee the quality of the high-end products. Strict, only better!





Please you carefree tasting ...

这里是智能感应电子锁的世界，请您鉴赏 . . .

Original import 原装进口

推拉式设计

Push and pull design

只需轻轻推或者拉把手，就轻松开启门锁，大大减少你的开门时间，引领生活进入高效便捷时代。

You need to gently push or pull the handle, so you can easily open the door lock, greatly reduce your opening time, and lead your life into an efficient and convenient era.



触摸屏密码

Touch screen cipher

智能便捷。方便家人，无需携带钥匙出门

Intelligent and convenient. It is convenient for the family to go out without the key.



火警探测

Fire detection

发生火灾时，传感器感知高温触发警报并自动打开门锁，方便用户尽快逃离。

When a fire occurs, the sensor senses high temperature, triggers the alarm and automatically opens the door lock, so that users can escape as quickly as possible.



半导体指纹

Semiconductor fingerprint

安全便利，只需动手指，出门再也不用带钥匙了。

Safe and convenient, just move your fingers and go out without using keys again.

多重门锁 防盗防爆

Burglar proof and explosion-proof

纯不锈钢防盗门锁体，通用尺寸，不生锈，耐腐蚀，静音锁舌。

Stainless steel anti-theft door lock body, general size, no rust, corrosion resistant, silent lock tongue.



Core technology

核心技术，强大的淋漓尽致

斥巨资引进全套德国最先进的数控生产线，实现了生产智能化、管理信息化，为产品的优秀品质提供最根本的保证。

Spent heavily to introduce a full set of Germany's most advanced numerical control production line, realize the intelligent production, management, information, provide the fundamental guarantee for the excellent quality of products.

智能芯片

采用瑞典先进技术芯片，以将处理器性能发挥得淋漓尽致，在全球广泛使用。

Smart chip

Chip adopts sweden advanced technology, to the processor performance is developed to get incisively and vividly, widely used around the world.

智能搭配

智能感应电子锁由电子主板、芯片和更多功能整合到一个简洁、时尚的外壳之中。并运用了全新的高性能技术，结合人体指纹作为开锁标志和多种技术演化，开启需指纹，方便快捷。

Smart collocation

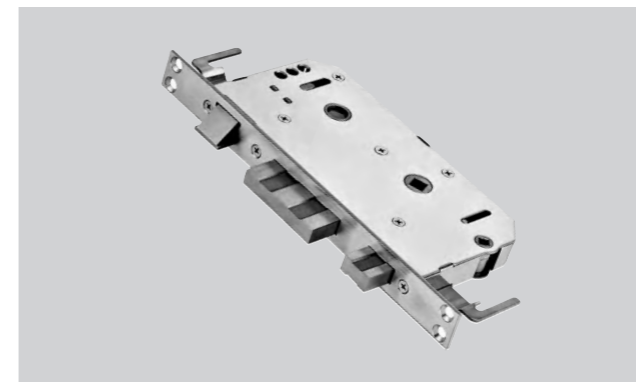
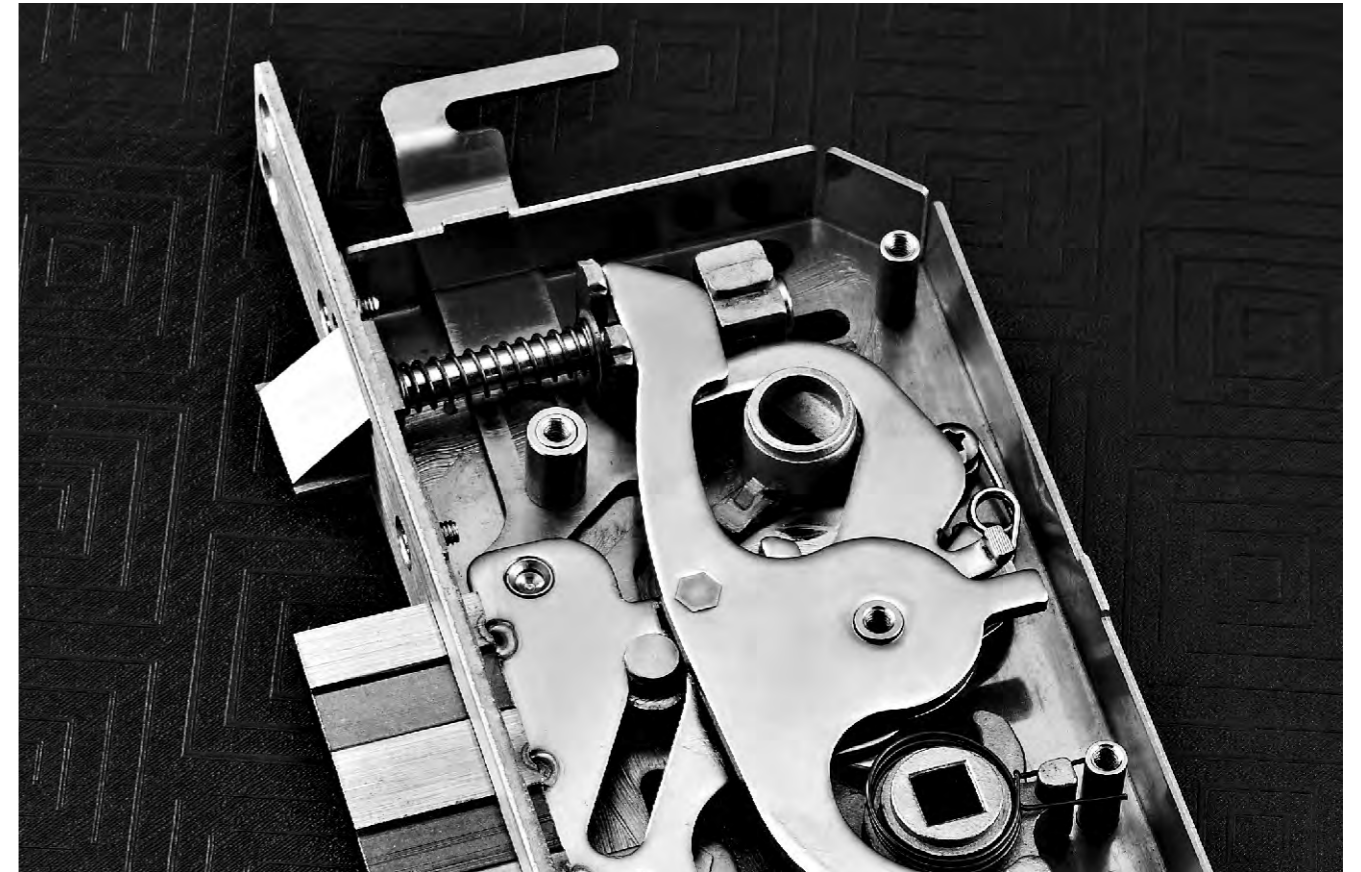
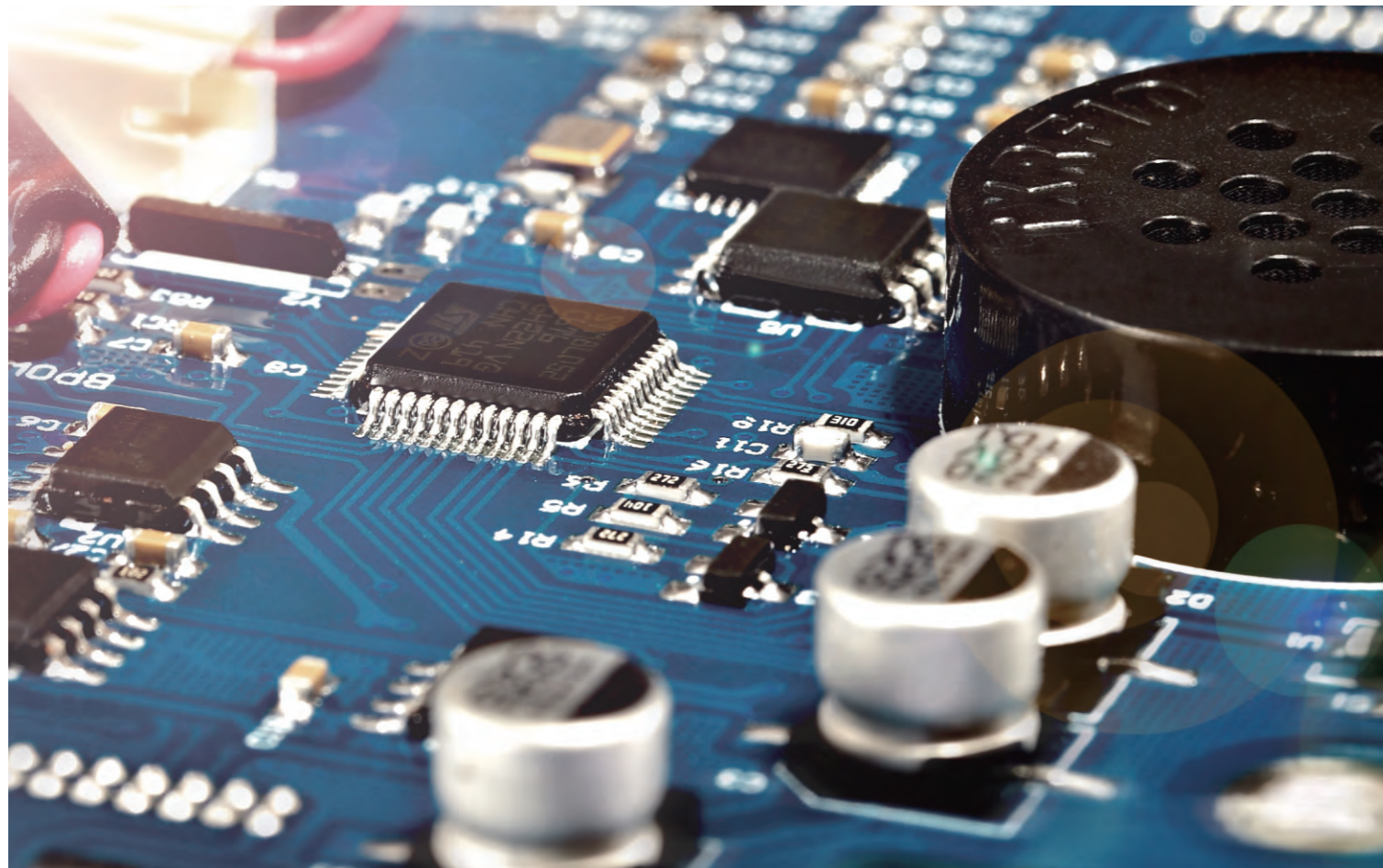
Intelligent electronic lock by the electronic board and chip and more integrated into the shell of a concise, vogue. And using the new technology of high performance, combined with human fingerprints as the lock symbol and a variety of technology evolution, open only fingerprint, convenient and quick.

指纹采集

独立控制的双核双电路的设计，无论是密码控制系统还是指纹控制系统，360度全方位解决方案，无死角指纹采集，做到整体规划、人性化服务，为消费者提供更便捷的流程，在节省世界的同时，享受更贴心的服务，确保无忧。

Fingerprint acquisition

Independent control of dual-core dual circuit design, whether the password control system or fingerprint control system, 360-degree solution, no dead angle fingerprint acquisition, do overall planning, humanized service, provide consumers with more convenient process, in saving the world at the same time, enjoy more thoughtful service, to ensure safe.



纯不锈钢锁体结构

锁舌及锁体所有结构件均采用业内罕见的不锈钢材质，其机械强度和稳定性均远高于市场上流行的合金类锁舌，具有优秀的抗冲击、抗腐蚀、抗磨损能力，大大提升了门锁的使用寿命和安全性能。

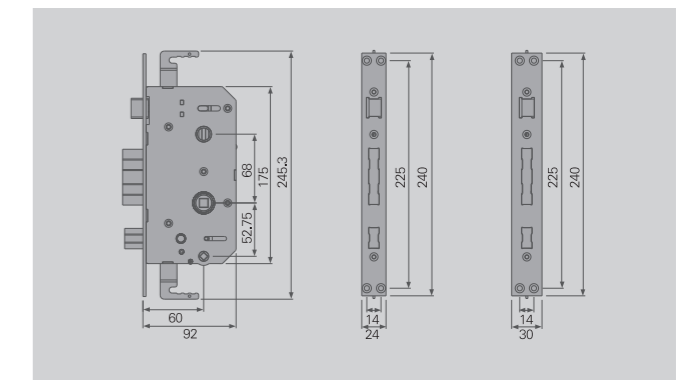
- A、高达100万次操作寿命
- B、斜舌承受力大于5300N、方舌承受力大于6000N
- C、可适应特重门

Pure stainless steel lock body structure

Lock tongue and lock body all structures are used in the industry of rare stainless steel material, the mechanical strength and stability are far higher than the market popular alloy lock tongue, has excellent impact resistance, corrosion resistance, wear resistance, greatly improve the service life of the locks and safety performance.

- A. Up to 1 million times operating life
- B. Latch the endurance strength greater than 5300 n, the tongue is greater than 6000 n
- C. Can adapt to the heavy door

注：“N”是力学单位，1N等于0.1KG物体产生的重力
Note: "N" is a mechanical unit, 1 N equals 0.1 kilograms of gravity



Technical content

技术含量，激发无限可能

采用复合锁体结构设计，由外锁体和内锁体组成。采用国际先进压铸模具成型，结构紧凑、机械性能好；防钻、防撬的面板设计，坚固耐用，抗破坏性强。根据恒力传递原理，双齿轮传动结构，保证了传动时受力均匀，在使用时最大限度地力传递到开锁的机构上，从而开启时轻巧、灵敏。斜舌采用导轨式定位运动，反锁大方舌采用斜坡式设计，强度、安全倍数递增。

Adopted complex lock body structure design, the lock body and lock body composition. Adopt international advanced die-casting mold design, compact structure, good mechanical properties; Drilling, pry the panel design, durable, strong destructive. According to the principle of constant force transmission, double gear transmission structure, ensure uniform when the drive force, when use of force transmission to the maximum limit will unlock institutions, to open the light and sensitive. Locks the inclined tongue using cellular localization movement, generous tongue with slope type design, increasing strength, multiple security.



8 内外兼顾 防爆结合
项安全科技
让家更有安全感
8 security technologies make home more secure

- | | |
|---|---|
| 
防撬报警技术
Anti prying alarm technology | 
防猫眼开启
Open the cat's eye |
| 
C级锁芯
C lock core | 
瑞典FPC指纹头
Swedish FDC fingerprinting head |
| 
5A 钻化触摸屏
5A drilled touch screen | 
虚伪密码
Hypocritical cipher |
| 
双安保模式
Dual security model | 
一次性密码
One-time password |

大小双屏设计
Size double screen design

小屏幕引导安装和使用并可查询开门记录。
Small screen guides installation and use and can query door opening record.



一次性密码
One-time password

可提前设置一次性密码方便朋友、客人、保洁使用。
One time password can be set up in advance to facilitate friends, guests and cleaning.



双安保模式
Dual security model

双重保护，更安全出门旅游时可以选择指纹+密码双密匙验证才能开门的模式，家里安全，确保万无一失。
Double protection, safer travel when you can choose fingerprint + password double key authentication to open the door mode, home safety, to ensure foolproof.



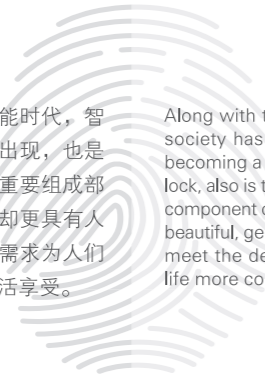
真人语音提示
Real voice hints

在您设置密码，开门或关门时都有语音提示，让操作更人性化。
When you set the password, there are voice prompts when opening or closing the door, so that the operation is more humane.



随着科技的不断发展，社会也开始进入了智能时代，智能化家居正成为发展的潮流，智能电子锁的出现，也是必然的发展趋势，是未来家居中不可或缺的重要组成部分。智能电子锁不仅造型精致美观、大方，而却更具有人性化的功能设计，全方位满足消费者不同个性需求，为人们日常生活提供更多的便捷、舒适、安全的生活享受。

Along with the continuous development of science and technology, the society has begun to enter the era of intelligence, intelligent home is becoming a trend of development, the emergence of intelligent electronic lock, also is the inevitable development trend, is the indispensable important component of household intelligent electronic lock not only refined modeling beautiful, generous, and is more humanized function design comprehensive meet the demand of consumers different personality for people's daily life more convenient, comfortable and safe to enjoy life.





型号: 11.001.013
Model: 11.001.013



型号: 11.001.006
Model: 11.001.006

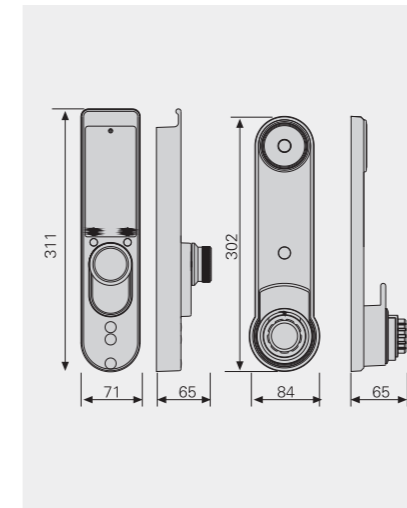
半导体指纹采集+MF1感应卡+遥控

技术参数 Technical data

指纹成像技术: 半导体真皮活体指纹采集 (瑞典FPC)
 用户容量: 指纹用户100组、遥控用户30组、卡片用户100组
 材质: 锌合金
 工作电压: 6V直流电池
 应急供电: 5V USB应急电源
 工作温度: -20°C ~ 50°C
 相对湿度: 15% ~ 90%RH
 工作电源: 可充电锂电池
 指纹认假率: $\leq 0.0001\%$
 指纹拒真率: $\leq 0.02\%$
 适用门厚: 40~120mm

Fingerprint technology: Semiconductor acquisition fingerprint (Swedish FPC)
 User capacity: 100 passwords, 30 fingerprints, 100 cards
 Material: Zinc alloy
 Working voltage: DC6V, DC battery
 Emergency power supply: 5V USB emergency power supply
 Working temperature: -20 ~ +50°C
 Working humidity: 15% ~ 90%RH
 Working power: Li-On rechargeable
 Error rate: $< 0.0001\%$
 Refusal rate: $< 0.02\%$
 Door thickness: 40-120mm

功能特点 Functional



- 独特的安防设计风格, 产品安全感强
- 全程语音提示, 使用设置方便简单
- 防撬加强装置: 外面板内置3.5毫米厚钢板
- 专利门锁: 万能互换, 真正的万锁通用
- 保险柜密码技术: 采用纯机械旋转密码, 共4组盘, 每盘100个工位, 互开率达一亿分之一
- 外接电源配置: 外接5V USB应急电源
- 低电量提醒: 电池的电量不足时, 语音自动提醒
- 遥控器: 滚动码技术, 抗干扰, 防破解
- 自动上锁: 可设置关门电磁感应自动上锁或开锁延时59秒自动上锁
- Unique security design style, strong product security.
- Full voice prompts, easy to set up and use.
- Flood prevention reinforcement device: 3.5 mm thick steel plate is built into the outer panel.
- Patented door lock: universal interchangeable, true universal lock.
- Safe cipher technology: Purely mechanical rotary ciphers, a total of 4 groups of discs, each with 100 stations, each with an opening rate of one hundred millionth.
- External power supply configuration: external 5V USB emergency power supply
- Low battery alert: When the battery is low, voice reminds automatically.
- Remote control: rolling code technology, anti-jamming, anti-cracking.
- Automatic locking: can be set to close the electromagnetic induction automatic locking or unlocking delay 59 seconds automatically locked

FINISH 表面处理: 哑黑古 09 红古 06 香槟金 15 玫瑰金 11



型号: 11.980.010
Model: 11.980.010

原装进口 半导体指纹采集+触屏密码+MF1感应卡

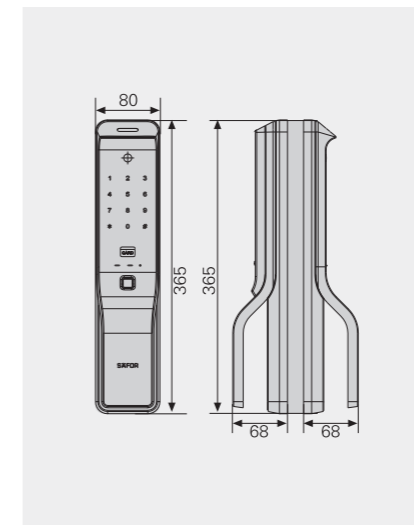
技术参数
Technical data

指纹成像技术: 半导体真皮活体指纹采集 (瑞典FPC)
 用户容量: 指纹用户100组、密码用户1组、卡片用户50组
 材质: 压铸铝
 工作电压: 6V直流电池
 应急供电: 9V应急电源
 工作温度: -20°C ~ 50°C
 相对湿度: 15% ~ 90%RH
 密码长度: 3~12位
 工作电源: 4节5V电池 2组
 指纹认假率: $\leq 0.0001\%$
 指纹拒真率: $\leq 0.02\%$
 适用门厚: 40~120mm

Fingerprint technology: Semiconductor acquisition fingerprint (Swedish FPC)
 User capacity: 100 passwords, 1 fingerprints, 50 cards
 Material: Aluminum
 Working voltage: 6V DC battery
 Emergency power supply: 9V emergency power supply
 Working temperature: -20°C ~ 50°C
 Relative humidity: 15% ~ 90%RH
 Password length: 3~12 digits
 Working power: 4 5V batteries 2 groups
 Error rate: $\leq 0.0001\%$
 Refusal rate: $\leq 0.02\%$
 Door thickness: 40~120mm

功能特点
Functional

- 创新推拉式智能门锁
只需轻轻推或者拉把手, 就轻松开启门锁
- 图案密码开锁 (和手机图案密码开锁一样)
- 火警探测:
发生火灾时, 传感器感知高温
触发警报并自动打开门锁, 方便用户尽快逃离
- 自动上锁:
免去重复上锁的麻烦, 不管是出门还是在家省心省力
- 产地: 韩国
- Innovative push-pull smart door lock
Only need gently push or pull the handle to unlock the door easily.
- Pattern code unlock (same as mobile phone code unlock)
- Fire detection
When a fire occurs, the temperature sensor senses, trigger an alarm and automatically open the door lock so that users can escape as quickly as possible.
- Automatic locking:
Avoid the trouble of repeated locking, so easy no matter be outside or at home.
- Made in Korea



FINISH 表面处理: 钛黑色 13, 银色 10, 香槟金 15



型号: 11.983.013
Model: 11.983.013

原装进口 半导体指纹采集+触屏密码+MF1感应卡

技术参数
Technical data

指纹成像技术: 半导体真皮活体指纹采集 (瑞典FPC)
 用户容量: 指纹用户100组、密码用户5组、卡片用户50组
 材质: 压铸铝
 工作电压: 6V直流电池
 应急供电: 9V应急电源
 工作温度: -20°C ~ 50°C
 相对湿度: 15% ~ 90%RH
 密码长度: 3~12位
 工作电源: 4节5V电池 2组
 指纹认假率: $\leq 0.0001\%$
 指纹拒真率: $\leq 0.02\%$
 适用门厚: 40~120mm

Fingerprint technology: Semiconductor acquisition fingerprint (Swedish FPC)
 User capacity: 100 passwords, 5 fingerprints, 50 cards
 Material: Aluminum
 Working voltage: 6V DC battery
 Emergency power supply: 9V emergency power supply
 Working temperature: -20°C ~ 50°C
 Relative humidity: 15% ~ 90%RH
 Password length: 3~12 digits
 Working power: 4 5V batteries 2 groups
 Error rate: $\leq 0.0001\%$
 Refusal rate: $\leq 0.02\%$
 Door thickness: 40~120mm

功能特点
Functional

- 创新推拉式智能门锁
只需轻轻推或者拉把手, 就轻松开启门锁
- 图案密码开锁 (和手机图案密码开锁一样)
- 火警探测:
发生火灾时, 传感器感知高温
触发警报并自动打开门锁, 方便用户尽快逃离
- 自动上锁:
免去重复上锁的麻烦, 不管是出门还是在家省心省力
- 产地: 韩国
- Innovative push-pull smart door lock
Only need gently push or pull the handle to unlock the door easily.
- Pattern code unlock (same as mobile phone code unlock)
- Fire detection
When a fire occurs, the temperature sensor senses, trigger an alarm and automatically open the door lock so that users can escape as quickly as possible.
- Automatic locking:
Avoid the trouble of repeated locking, so easy no matter be outside or at home.
- Made in Korea

FINISH 表面处理: 钛黑色 13 银色 10 香槟金 15



型号: 11.960.015
Model: 11.960.015

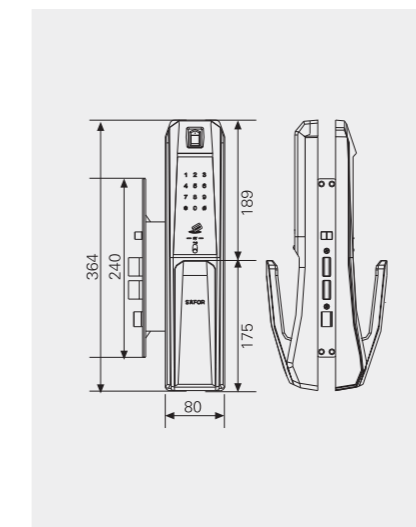
原装进口 半导体指纹采集+触屏密码+MF1感应卡

技术参数
Technical data

指纹成像技术: 半导体真皮活体指纹采集 (瑞典FPC)
 用户容量: 指纹用户100组、密码用户1组、卡片用户50组
 材质: 压铸铝
 工作电压: 6V直流电池
 应急供电: 9V应急电源
 工作温度: -20°C ~ 50°C
 相对湿度: 15% ~ 90%RH
 密码长度: 3~12位
 工作电源: 4节5V电池 2组
 指纹认假率: $\leq 0.0001\%$
 指纹拒真率: $\leq 0.02\%$
 适用门厚: 40~120mm

Fingerprint technology: Semiconductor acquisition fingerprint (Swedish FPC)
 User capacity: 100 passwords, 1 fingerprints, 50 cards
 Material: Aluminum
 Working voltage: 6V DC battery
 Emergency power supply: 9V emergency power supply
 Working temperature: -20°C ~ 50°C
 Relative humidity: 15% ~ 90%RH
 Password length: 3~12 digits
 Working power: 4 5V batteries 2 groups
 Error rate: $\leq 0.0001\%$
 Refusal rate: $\leq 0.02\%$
 Door thickness: 40~120mm

功能特点
Functional



- 创新推拉式智能门锁
只需轻轻推或者拉把手，就轻松开启门锁
- 图案密码开锁 (和手机图案密码开锁一样)
- 火警探测:
发生火灾时，传感器感知高温
触发警报并自动打开门锁，方便用户尽快逃离
- 自动上锁:
免去重复上锁的麻烦，不管是出门还是在家省心省力
- 产地: 韩国
- Innovative push-pull smart door lock
Only need gently push or pull the handle to unlock the door easily.
- Pattern code unlock (same as mobile phone code unlock)
- Fire detection
When a fire occurs, the temperature sensor senses, trigger an alarm and automatically open the door lock so that users can escape as quickly as possible.
- Automatic locking:
Avoid the trouble of repeated locking, so easy no matter be outside or at home.
- Made in Korea

FINISH 表面处理: 钛黑色 13 银色 10 香槟金 15

原装进口 面部识别+RF卡键+密码+手动键+遥控器



型号: 11.968.013
Model: 11.968.013

技术参数
Technical data

面部识别: 利用面部识别技术打开门
 用户容量: 100位注册使用面部识别功能
 材质: 压铸铝
 工作电压: 6V直流电池
 应急供电: 9V应急电源
 工作温度: -20℃ ~ 50℃
 相对湿度: 15% ~ 90%RH
 密码长度: 4~8位
 工作电源: 4节5V电池 2组
 指纹认假率: ≤ = 0.0001%
 指纹拒真率: ≤ = 0.02%
 适用门厚: 40~120mm

Face ID: Use facial recognition to open doors
 User capacity: Accommodate 100 registered users
 Material: Aluminum
 Working voltage: 6V DC battery
 Emergency power supply: 9V emergency power supply
 Working temperature: -20°C~50°C
 Relative humidity: 15%~90%RH
 Password length: 4~8 digits
 Working power: 4 5V batteries 2 groups
 Error rate: ≤=0.0001%
 Refusal rate: ≤=0.02%
 Door thickness : 40~120mm

功能特点
Functional

- 创新推拉式智能门锁
只需轻轻推或者拉把手, 就轻松开启门锁
- 图案密码开锁 (和手机图案密码开锁一样)
- 火警探测:
发生火灾时, 传感器感知高温
触发警报并自动打开门锁, 方便用户尽快逃离
- 自动上锁:
免去重复上锁的麻烦, 不管是出门还是在省省心省力
- 产地: 韩国
- Innovative push-pull smart door lock
Only need gently push or pull the handle to unlock the door easily.
- Pattern code unlock (same as mobile phone code unlock)
- Fire detection
When a fire occurs, the temperature sensor senses, trigger an alarm and automatically open the door lock so that users can escape as quickly as possible.
- Automatic locking:
Avoid the trouble of repeated locking,so easy no matter be outside or at home.
- Made in Korea

FINISH 表面处理: 铁黑色 13 银色 10 香槟金 15





型号: 11.330.013
Model: 11.330.013

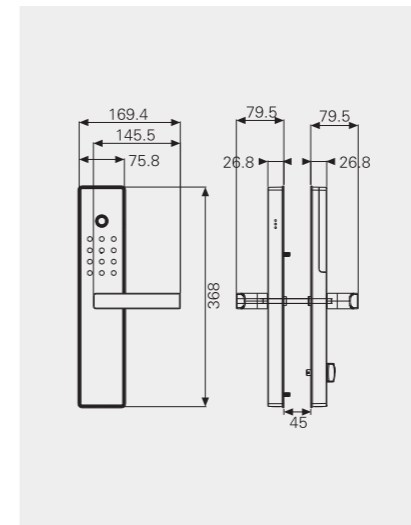
半导体指纹采集+触屏密码+MF1感应卡

技术参数 Technical data

指纹成像技术: 半导体真皮活体指纹采集 (瑞典FPC)
用户容量: 指纹用户100组、密码用户10组、卡片用户100组
材质: 锌合金
工作电压: 6V直流电池
应急供电: 5V USB应急电源
工作温度: -20°C~50°C
相对湿度: 15%~90%RH
密码长度: 6~12位
工作电源: 4节5V电池
指纹认假率: $\leq 0.0001\%$
指纹拒真率: $\leq 0.02\%$
适用门厚: 40~120mm

Fingerprint technology: Semiconductor acquisition fingerprint (Swedish FPC)
User capacity: 100 passwords, 10 fingerprints, 100 cards
Material: Zinc alloy
Working voltage: 6V DC battery
Emergency power supply: 5V USB emergency power supply
Working temperature: -20°C~50°C
Relative humidity: 15%~90%RH
Password length: 6~12 digits
Working power: 4 5V batteries
Error rate: $\leq 0.0001\%$
Refusal rate: $\leq 0.02\%$
Door thickness: 40~120mm

功能特点 Functional



- 双重验证功能: 需通过两种开启方式验证方可开锁
- 门内旋钮反锁功能
- 防撬报警装置: 配备安防级防撬感应模块
- 四合一专利锁体: 左右可以互换
- 备用机械锁芯采用超B级叶片锁芯
- 智能化语音导航功能
- 高强度触摸密码屏, 人性化LED液晶屏显示
- 虚位密码技术: 在开门密码的前后任意输入数字
- 低电量报警: 低电压报警可开启100次
- 机械钥匙开启报警: 每次开启会强制报警3分钟
- 双语设置: 自由切换, 满足中外客户需求
- 外接电源配置: 备用电源接口5V USB
- Double verification function: it is required to open the lock by two open methods;
- Door knob lock function
- Anti-smashing alarm device: equipped with security class anti-smashing sensor module
- 4 In 1 patent lock body: left and right can be interchangeable
- Spare cylinder with super B security keys
- Intelligent voice guidance function
- High frequency password screen, Humanization LED screen
- Virtual bit cryptography: enter any number before or after opening the password
- Low battery alarm: low voltage alarm can be opened 100 times
- Mechanical key to open the alarm: each time will force the alarm for 3 minutes
- Bilingual settings: free switch to meet the needs of chinese and foreign customers
- External power supply configuration: Spare power interface 5V USB

FINISH 表面处理: 钛黑色 13, 银色 10, 香槟金 15



型号: 11.550.013
Model: 11.550.013

型号: 11.550.006
Model: 11.550.006

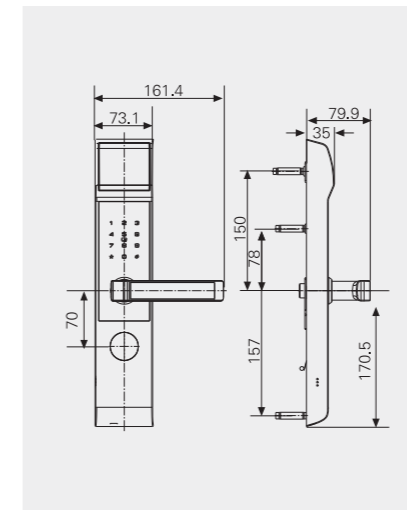
半导体指纹采集+触屏密码+MF1感应卡

技术参数 Technical data

指纹成像技术: 半导体真皮活体指纹采集 (瑞典FPC)
 用户容量: 指纹用户100组、密码用户10组、卡片用户100组
 材质: 锌合金
 工作电压: 6V直流电池
 应急供电: 5V USB应急电源
 工作温度: -20°C~50°C
 相对湿度: 15%~90%RH
 密码长度: 6~12位
 工作电源: 4节5V电池
 指纹认假率: $\leq 0.0001\%$
 指纹拒真率: $\leq 0.02\%$
 适用门厚: 40~120mm

Fingerprint technology: Semiconductor acquisition fingerprint (Swedish FPC)
 User capacity: 100 passwords, 10 fingerprints, 100 cards
 Material: Zinc alloy
 Working voltage: 6V DC battery
 Emergency power supply: 5V USB emergency power supply
 Working temperature: -20°C~50°C
 Relative humidity: 15%~90%RH
 Password length: 6~12 digits
 Working power: 4 5V batteries
 Error rate: $\leq 0.0001\%$
 Refusal rate: $\leq 0.02\%$
 Door thickness: 40~120mm

功能特点 Functional



- 双重验证功能: 需通过两种开启方式验证方可开锁
 - 门内旋钮反锁功能
 - 防撬报警装置: 配备安防级防撬感应模块
 - 四合一专利锁体: 左右可以互换
 - 备用机械锁芯采用超B级叶片锁芯
 - 智能化语音导航功能
 - 高强度触摸密码屏, 人性化LED液晶屏显示
 - 虚拟密码技术: 在开门密码的前后任意输入数字
 - 低电量报警: 低电压报警可开启100次
 - 机械钥匙开启报警: 每次开启会强制报警3分钟
 - 双语设置: 自由切换, 满足中外客户需求
 - 外接电源配置: 备用电源接口5V USB
- Double verification function: it is required to open the lock by two open methods;
 - Door knob lock function
 - Anti-smashing alarm device: equipped with security class anti-smashing sensor module
 - 4 In 1 patent lock body: left and right can be interchangeable
 - Spare cylinder with super B security keys
 - Intelligent voice guidance function
 - High frequency password screen, Humanization LED screen
 - Virtual bit cryptography: enter any number before or after opening the password
 - Low battery alarm: low voltage alarm can be opened 100 times
 - Mechanical key to open the alarm: each time will force the alarm for 3 minutes
 - Bilingual settings: free switch to meet the needs of chinese and foreign customers
 - External power supply configuration: Spare power interface 5V USB

FINISH 表面处理: 钛黑色 13 香槟金 15 红古 06



型号: 11.870.005
Model: 11.870.005

型号: 11.870.006
Model: 11.870.006

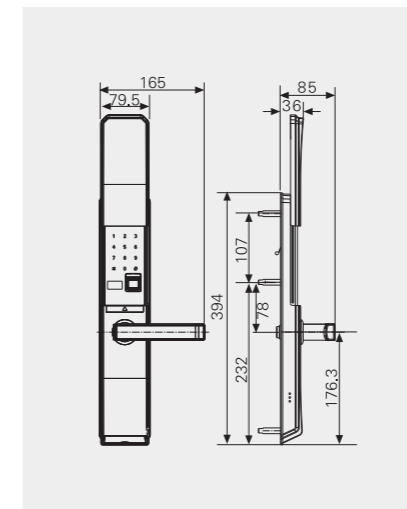
光学指纹采集+触屏密码+MF1感应卡

技术参数
Technical data

指纹成像技术: 光学指纹采集
 用户容量: 指纹用户200组、密码用户30组、卡片用户30组
 材质: 锌合金
 工作电压: 6V直流电池
 应急供电: 9V应急电源
 工作温度: -20°C ~50°C
 相对湿度: 15%~90%RH
 密码长度: 6~12位
 工作电源: 4节5V电池
 指纹认假率: $\leq 0.0001\%$
 指纹拒真率: $\leq 0.02\%$
 适用门厚: 40~120mm

Fingerprint technology: Optical Fingerprint Acquisition
 User capacity: 200 passwords, 30 fingerprints, 100 cards
 Material: Zinc alloy
 Working voltage: 6V DC battery
 Emergency power supply: 9V emergency power supply
 Working temperature: -20°C ~50°C
 Relative humidity: 15%~90%RH
 Password length: 6~12 digits
 Working power: 4 5V batteries
 Error rate: $\leq 0.0001\%$
 Refusal rate: $\leq 0.02\%$
 Door thickness: 40~120mm

功能特点
Functional



- 双重验证功能: 需通过两种开启方式验证方可开锁
- 门内旋钮反锁功能
- 防撬报警装置: 配备安防级防撬感应模块
- 四合一专利锁体: 左右可以互换
- 备用机械锁芯采用超B级叶片锁芯
- 智能化语音导航功能
- 高强度触摸密码屏, 人性化LED液晶显示
- 虚位密码技术: 在开门密码的前后任意输入数字
- 低电量报警: 低电压报警可开启100次
- 外接电源配置: 备用电源接口9V
- Double verification function: it is required to open the lock by two open methods;
- Door knob lock function
- Anti-smashing alarm device: equipped with security class anti-smashing sensor module
- 4 In 1 patent lock body: left and right can be interchangeable
- Spare cylinder with super B security keys
- Intelligent voice guidance function
- High frequency password screen, Humanization LED screen
- Virtual bit cryptography: enter any number before or after opening the password
- Low battery alarm: low voltage alarm can be opened 100 times
- External power supply configuration: Spare power interface 9V

FINISH 表面处理: 青古 05 红古 06



型号: 11.580.003
Model: 11.580.003

型号: 11.580.001
Model: 11.580.001

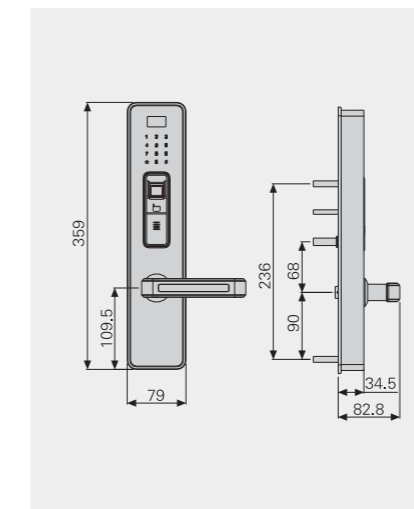
半导体指纹采集+触屏密码+MF1感应卡

技术参数
Technical data

指纹成像技术: 半导体真皮活体指纹采集 (瑞典FPC)
 用户容量: 指纹用户200组、密码用户50组、卡片用户15组
 材质: 锌合金
 工作电压: 6V直流电池
 应急供电: 9V 应急电源
 工作温度: -20°C ~50°C
 相对湿度: 15%~90%RH
 密码长度: 6~12位
 工作电源: 4节5V电池 2组
 指纹认假率: ≤ 0.0001%
 指纹拒真率: ≤ 0.02%
 适用门厚: 40~120mm

Semiconductor fingerprint acquisition+touch screen password+ MF1 induction card+APP
 Fingerprint technology: Semiconductor acquisition fingerprint (Swedish FPC)
 User capacity: 200 passwords,50fingerprints,15cards
 Material: Zinc alloy
 Working voltage: 6V DC battery
 Emergency power supply: 9V emergency power supply
 Working temperature: -20°C~50°C
 Relative humidity: 15%~90%RH
 Password length: 6~12 digits
 Working power: 4 5V batteries 2 groups
 Error rate: ≤=0.0001%
 Refusal rate: ≤=0.02%
 Door thickness : 40~120mm

功能特点
Functional



- 纯不锈钢防盗门天地杆锁体, 通用尺寸
- 智能化语音导航功能
- 高强度触摸密码屏, 防盗窥视密码输入功能
- 备用机械锁芯采用超B级叶片锁芯
- 人性化LED液晶显示屏
- 开门记录: 无限次开门记录实时查询
- 低电量报警: 低电压报警可开启100次
- 指纹防试开: 连续5次错误停止工作3分钟
- 密码防试开: 连续5次错误停止工作3分钟
- 非法开启报警: 发现撬动面板
- 报警方式: 现场鸣笛并推送到手机APP
- 外接电源配置: 备用电源接口9V
- Stainless steel multi-point lock, standard dimension
- Intelligent voice guidance function
- High frequency password screen, with anti-peeking password inputting function
- Spare cylinder with super B security keys
- Humanization LED screen
- Open record: unlimited open records real-time query
- Low battery alarm: low voltage alarm can be opened 100 times
- Fingerprint proof open: 5 consecutive errors stop working for 3 minutes
- Password try-proof open: 5 consecutive errors stop working for 3 minutes
- Illegal opening of alarm: discovery of flapping panel
- Alarm mode: whistle on the spot and push it to mobile APP
- External power supply configuration: Spare power interface 9V

FINISH 表面处理: 拉丝



型号: 11.880.003
Model: 11.880.003

型号: 11.880.001
Model: 11.880.001

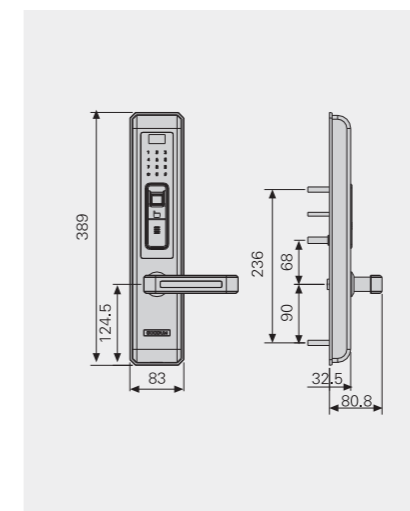
半导体指纹采集+触屏密码+MF1感应卡

技术参数 Technical data

指纹成像技术: 半导体真皮活体指纹采集 (瑞典FPC)
 用户容量: 指纹用户200组、密码用户50组、卡片用户15组
 材质: 锌合金
 工作电压: 6V直流电池
 应急供电: 9V 应急电源
 工作温度: -20°C ~50°C
 相对湿度: 15%~90%RH
 密码长度: 6~12位
 工作电源: 4节5V电池 2组
 指纹认假率: $\leq 0.0001\%$
 指纹拒真率: $\leq 0.02\%$
 适用门厚: 40~120mm

Semiconductor fingerprint acquisition+touch screen password+ MF1 induction card+APP
 Fingerprint technology: Semiconductor acquisition fingerprint (Swedish FPC)
 User capacity: 200 passwords,50fingerprints,15cards
 Material: Zinc alloy
 Working voltage: 6V DC battery
 Emergency power supply: 9V emergency power supply
 Working temperature: -20°C~50°C
 Relative humidity: 15%~90%RH
 Password length: 6~12 digits
 Working power: 4 5V batteries 2 groups
 Error rate: $\leq 0.0001\%$
 Refusal rate: $\leq 0.02\%$
 Door thickness: 40~120mm

功能特点 Functional



- 纯不锈钢防盗门天地杆锁体, 通用尺寸
- 智能化语音导航功能
- 高强度触摸密码屏, 防盗窥视密码输入功能
- 备用机械锁芯采用超B级叶片锁芯
- 人性化LED液晶显示屏
- 开门记录: 无限次开门记录实时查询
- 低电量报警: 低电压报警可开启100次
- 指纹防试开: 连续5次错误停止工作3分钟
- 密码防试开: 连续5次错误停止工作3分钟
- 非法开启报警: 发现撬动面板
- 报警方式: 现场鸣笛并推送到手机APP
- 外接电源配置: 备用电源接口9V
- Stainless steel multi-point lock, standard dimension
- Intelligent voice guidance function
- High frequency password screen, with anti-peeking password inputting function
- Spare cylinder with super B security keys
- Humanization LED screen
- Open record: unlimited open records real-time query
- Low battery alarm: low voltage alarm can be opened 100 times
- Fingerprint proof open: 5 consecutive errors stop working for 3 minutes
- Password try-proof open: 5 consecutive errors stop working for 3 minutes
- Illegal opening of alarm: discovery of flapping panel
- Alarm mode: whistle on the spot and push it to mobile APP
- External power supply configuration: Spare power interface 9V

FINISH 表面处理: 拉丝 拉丝金



型号: 11.310.013
Model: 11.310.013

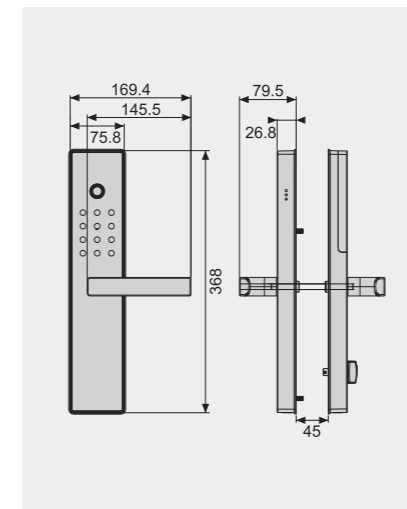
半导体指纹采集+触屏密码+MF1感应卡

技术参数 Technical data

指纹成像技术: 半导体真皮活体指纹采集(瑞典FPC)
 用户容量: 密码用户150组, 指纹用户150组, 卡用户150组
 材质: 不锈钢304
 工作电压: DC6V直流电池
 工作温度: -20 ~ +50°C
 工作湿度: 15% ~ 90%RH
 密码长度: 6~10位
 工作电源: 4节5V电池
 指纹认假率: <=0.0001%
 指纹拒真率: <=0.02%
 适用门厚: 40~120mm

Fingerprint technology: Semiconductor acquisition fingerprint (Swedish FPC)
 User capacity: 150 passwords, 150 fingerprints, 150 cards
 Material: SUS 304
 Working voltage: DC6V, DC battery
 Working temperature: -20 ~ +50°C
 Working humidity: 15% ~ 90%RH
 Password length: 6~10 digits
 Working power: 4 5V batteries
 Error rate: <=0,0001%
 Refusal rate: <=0,02%
 Door thickness : 40~120mm

功能特点 Functional



- 双重验证功能: 需通过两种开启方式验证方可开锁
- 门内旋钮反锁功能
- 备用机械锁芯采用超B级叶片锁芯
- 智能化语音导航功能
- 高强度触摸密码屏, 人性化LED液晶显示
- 虚位密码技术: 在开门密码的前后任意输入数字
- 多用户管理, 内置开锁记录
- 低电量报警: 低电压报警可开启100次
- 外接电源配置: 备用电源接口9V
- 可选配遥控器开启
- Double verification function: it is required to open the lock by two open methods;
- Door knob lock function
- Spare cylinder with super B security keys
- Intelligent voice guidance function
- High frequency password screen, Humanization LED screen
- Virtual bit cryptography: enter any number before or after opening the password
- Multi-management with unlock records
- Low battery alarm: low voltage alarm can be opened 100 times
- External power supply configuration: Spare power interface 9V
- Remote control is available

FINISH 表面处理: 钛黑色 13 银色 10 香槟金 15

半导体指纹采集+触屏密码+MF1感应卡

技术参数
Technical data

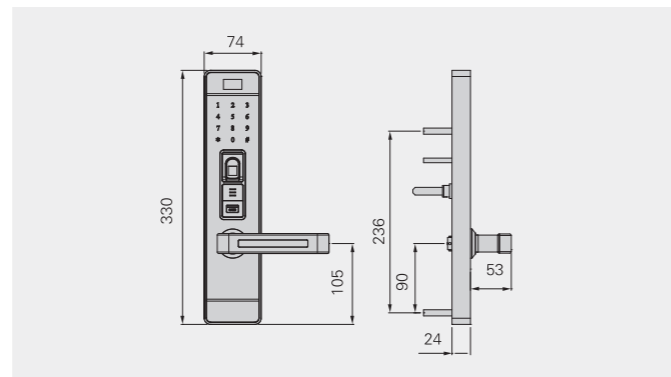
指纹成像技术: 半导体真皮活体指纹采集(瑞典FPC)
 用户容量: 密码用户150组, 指纹用户150组, 卡用户150组
 材质: 不锈钢304
 工作电压: DC6V直流电池
 工作温度: -20 ~ +50°C
 工作湿度: 15% ~ 90%RH
 密码长度: 6~10位
 工作电源: 4节5V电池
 指纹认假率: <=0.0001%
 指纹拒真率: <=0.02%
 适用门厚: 40~120mm
 Fingerprint technology: Semiconductor acquisition fingerprint (Swedish FPC)
 User capacity: 150 passwords,150 fingerprints,150 cards
 Material: SUS 304
 Working voltage: DC6V,DC battery
 Working temperature: -20 ~ +50°C
 Working humidity: 15% ~ 90%RH
 Password length: 6~10 digits
 Working power: 4 5V batteries
 Error rate: <=0.0001%
 Refusal rate: <=0.02%
 Door thickness : 40~120mm

功能特点
Functional

- 双重验证功能: 需通过两种开启方式验证方可开锁
- 门内旋钮反锁功能
- 备用机械锁芯采用超B级叶片锁芯
- 智能化语音导航功能
- 高强度触摸密码屏, 人性化LED液晶显示
- 虚位密码技术: 在开门密码的前后任意输入数字
- 多用户管理, 内置开锁记录
- 低电量报警: 低电压报警可开启100次
- 外接电源配置: 备用电源接口9V
- 可选配遥控器开启
- Double verification function: it is required to open the lock by two open methods;
- Door knob lock function
- Spare cylinder with super B security keys
- Intelligent voice guidance function
- High frequency password screen,Humanization LED screen
- Virtual bit cryptography: enter any number before or after opening the password
- Multi-management with unlock records
- Low battery alarm: low voltage alarm can be opened 100 times
- External power supply configuration: Spare power interface 9V
- Remote control is available



型号: 11.630.001
Model: 11.630.001



FINISH 表面处理: 01 拉丝 03 拉丝金

半导体指纹采集+触屏密码+MF1感应卡

技术参数
Technical data

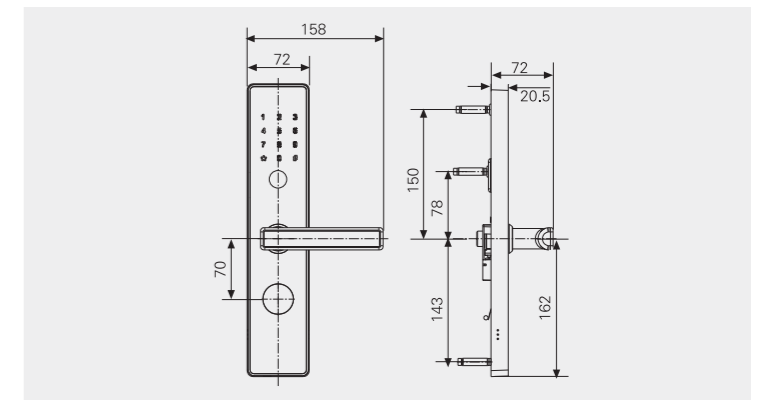
指纹成像技术: 半导体真皮活体指纹采集(瑞典FPC)
 用户容量: 密码用户150组, 指纹用户150组, 卡用户150组
 材质: 不锈钢304
 工作电压: DC6V直流电池
 工作温度: -20 ~ +50°C
 工作湿度: 15% ~ 90%RH
 密码长度: 6~10位
 工作电源: 4节5V电池
 指纹认假率: <=0.0001%
 指纹拒真率: <=0.02%
 适用门厚: 40~120mm
 Fingerprint technology: Semiconductor acquisition fingerprint (Swedish FPC)
 User capacity: 150 passwords,150 fingerprints,150 cards
 Material: SUS 304
 Working voltage: DC6V,DC battery
 Working temperature: -20 ~ +50°C
 Working humidity: 15% ~ 90%RH
 Password length: 6~10 digits
 Working power: 4 5V batteries
 Error rate: <=0.0001%
 Refusal rate: <=0.02%
 Door thickness : 40~120mm

功能特点
Functional

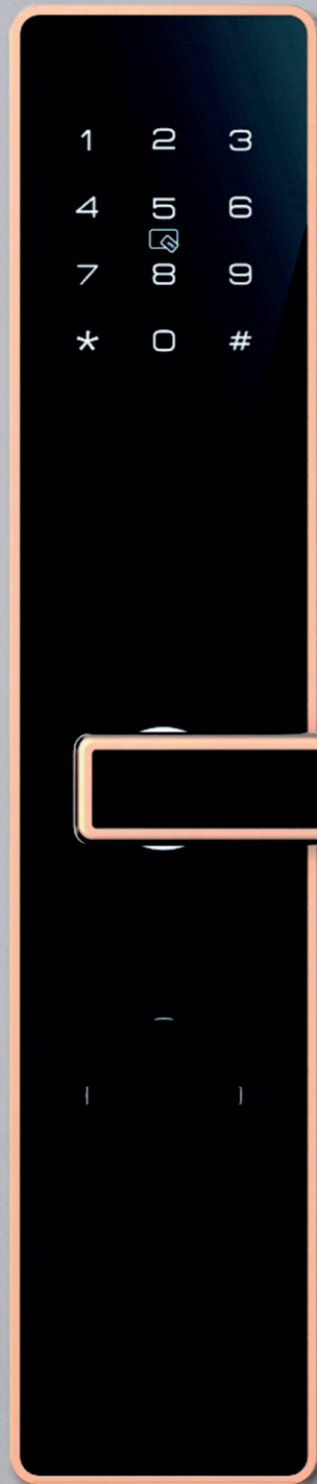
- 双重验证功能: 需通过两种开启方式验证方可开锁
- 门内旋钮反锁功能
- 备用机械锁芯采用超B级叶片锁芯
- 智能化语音导航功能
- 高强度触摸密码屏, 人性化LED液晶显示
- 虚位密码技术: 在开门密码的前后任意输入数字
- 多用户管理, 内置开锁记录
- 低电量报警: 低电压报警可开启100次
- 外接电源配置: 备用电源接口9V
- 可选配遥控器开启
- Double verification function: it is required to open the lock by two open methods;
- Door knob lock function
- Spare cylinder with super B security keys
- Intelligent voice guidance function
- High frequency password screen,Humanization LED screen
- Virtual bit cryptography: enter any number before or after opening the password
- Multi-management with unlock records
- Low battery alarm: low voltage alarm can be opened 100 times
- External power supply configuration: Spare power interface 9V
- Remote control is available



型号: 11.280.003
Model: 11.280.003



FINISH 表面处理: 01 拉丝 03 拉丝金



型号: 11.260.003
Model: 11.260.003

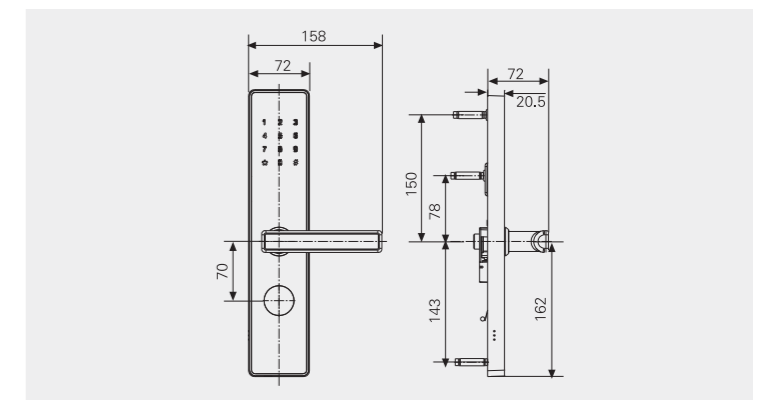
触屏密码+MF1感应卡

技术参数 Technical data

用户容量: 密码用户10组, 卡用户100组
 材质: 锌合金
 工作电压: DC6V直流电池
 工作温度: -20 ~ +50°C
 工作湿度: 10% ~ 85%RH
 密码长度: 6~12位
 工作电源: 4节5V电池
 指纹认假率: <=0.0001%
 指纹拒真率: <=0.02%
 适用门厚: 40~120mm
 User capacity: 150 passwords, 150 cards
 Material: Zinc alloy
 Working voltage: DC6V,DC battery
 Working temperature: -20 ~ +50°C
 Working humidity: 10% ~ 85%RH
 Password length: 6~12digits
 Working power: 4 5V batteries
 Error rate: <=0,0001%
 Refusal rate: <=0.02%
 Door thickness : 40~120mm

功能特点 Functional

- 双重验证功能: 需通过两种开启方式验证方可开锁
- 门内旋钮反锁功能
- 防撬报警装置: 配备安防级防撬感应模块
- 四合一专利锁体: 左右可以互换
- 备用机械锁芯采用超B级叶片锁芯
- 智能化语音导航功能
- 高强度触摸密码屏, 人性化LED液晶显示
- 虚位密码技术: 在开门密码的前后任意输入数字
- 低电量报警: 低电压报警可开启100次
- 机械钥匙开启报警: 每次开启会强制报警3分钟
- 外接电源配置: 备用电源接口5V USB
- Double verification function: it is required to open the lock by two open methods;
- Door knob lock function
- Anti-smashing alarm device: equipped with security class anti-snoring sensor module
- 4 In 1 patent lock body: left and right can be interchangeable
- Spare cylinder with super B security keys
- Intelligent voice guidance function
- High frequency password screen, Humanization LED screen
- Virtual bit cryptography: enter any number before or after opening the password
- Low battery alarm: low voltage alarm can be opened 100 times
- Mechanical key to open the alarm: each time will force the alarm for 3 minutes
- External power supply configuration: Spare power interface 5V USB



FINISH 表面处理: 01 拉丝 03 拉丝金

触屏密码+MF1感应卡

技术参数
Technical data

用户容量: 密码用户150组, 卡用户150组
 材质: 不锈钢304
 工作电压: DC6V直流电池
 工作温度: -20 ~ +50℃
 工作湿度: 10% ~ 85%RH
 密码长度: 6~10位
 工作电源: 4节5V电池
 指纹认假率: <=0.0001%
 指纹拒真率: <=0.02%
 适用门厚: 40~120mm

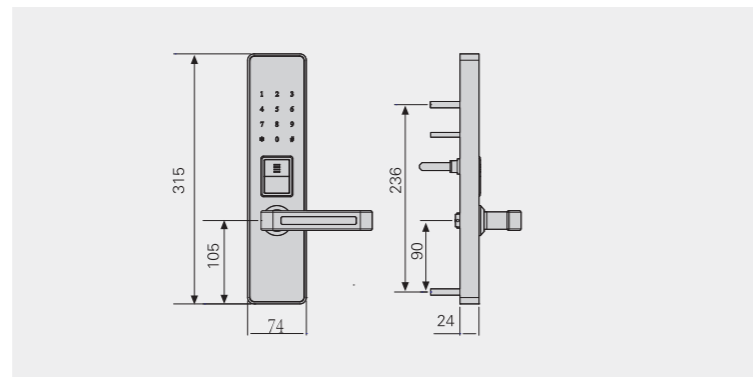
User capacity: 150 passwords,150 cards
 Material: SUS 304
 Working voltage: DC6V,DC battery
 Working temperature: -20 ~ +50℃
 Working humidity: 10% ~ 85%RH
 Password length: 6~10 digits
 Working power: 4 5V batteries
 Error rate: <=0.0001%
 Refusal rate: <=0.02%
 Door thickness : 40~120mm

功能特点
Functional

- 双重验证功能: 需通过两种开启方式验证方可开锁
- 门内旋钮反锁功能
- 备用机械锁芯采用超B级叶片锁芯
- 智能化语音导航功能
- 高强度触摸密码屏, 人性化LED液晶显示屏
- 虚位密码技术: 在开门密码的前后任意输入数字
- 多用户管理, 内置开锁记录
- 低电量报警: 低电压报警可开启100次
- 外接电源配置: 备用电源接口9V
- 可选配遥控器开启
- Double verification function: it is required to open the lock by two open methods;
- Door knob lock function
- Spare cylinder with super B security keys
- Intelligent voice guidance function
- High frequency password screen, Humanization LED screen
- Virtual bit cryptography: enter any number before or after opening the password
- Multi-management with unlock records
- Low battery alarm: low voltage alarm can be opened 100 times
- External power supply configuration: Spare power interface 9V
- Remote control is available



型号: 11.680.001
Model: 11.680.001



FINISH 表面处理: 拉丝 01 拉丝金 03

触屏密码+MF1感应卡

技术参数
Technical data

用户容量: 密码用户150组, 卡用户150组
 材质: 不锈钢304
 工作电压: DC6V直流电池
 工作温度: -20 ~ +50℃
 工作湿度: 10% ~ 85%RH
 密码长度: 6~10位
 工作电源: 4节5V电池
 指纹认假率: <=0.0001%
 指纹拒真率: <=0.02%
 适用门厚: 40~120mm

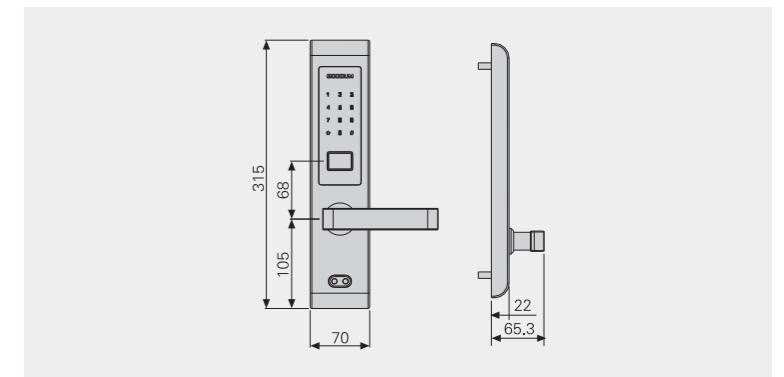
User capacity: 150 passwords,150 cards
 Material: SUS 304
 Working voltage: DC6V,DC battery
 Working temperature: -20 ~ +50℃
 Working humidity: 10% ~ 85%RH
 Password length: 6~10 digits
 Working power: 4 5V batteries
 Error rate: <=0.0001%
 Refusal rate: <=0.02%
 Door thickness : 40~120mm

功能特点
Functional

- 双重验证功能: 需通过两种开启方式验证方可开锁
- 门内旋钮反锁功能
- 备用机械锁芯采用超B级叶片锁芯
- 智能化语音导航功能
- 高强度触摸密码屏, 人性化LED液晶显示屏
- 虚位密码技术: 在开门密码的前后任意输入数字
- 多用户管理, 内置开锁记录
- 低电量报警: 低电压报警可开启100次
- 外接电源配置: 备用电源接口9V
- 可选配遥控器开启
- Double verification function: it is required to open the lock by two open methods;
- Door knob lock function
- Spare cylinder with super B security keys
- Intelligent voice guidance function
- High frequency password screen, Humanization LED screen
- Virtual bit cryptography: enter any number before or after opening the password
- Multi-management with unlock records
- Low battery alarm: low voltage alarm can be opened 100 times
- External power supply configuration: Spare power interface 9V
- Remote control is available



型号: 11.230.001
Model: 11.230.001



FINISH 表面处理: 拉丝 01 拉丝金 03

半导体指纹采集+触屏密码



型号: 11.160.001
Model: 11.160.001

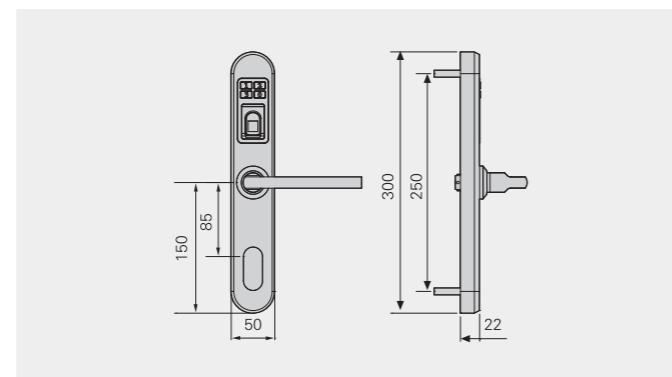
技术参数 Technical data

指纹成像技术: 半导体真皮活体指纹采集(瑞典FPC)
 用户容量: 密码用户150组, 指纹用户150组, 卡用户150组
 材质: 不锈钢304
 工作电压: DC6V直流电池
 工作温度: -20 ~ +50°C
 工作湿度: 15% ~ 90%RH
 密码长度: 6~10位
 工作电源: 4节5V电池
 指纹识别率: <=0.0001%
 指纹拒真率: <=0.02%
 适用门厚: 40~120mm

Fingerprint technology: Semiconductor acquisition fingerprint (Swedish FPC)
 User capacity: 150 passwords, 150 fingerprints, 150 cards
 Material: SUS 304
 Working voltage: DC6V, DC battery
 Working temperature: -20 ~ +50°C
 Working humidity: 15% ~ 90%RH
 Password length: 6~10 digits
 Working power: 4 5V batteries
 Error rate: <=0.0001%
 Refusal rate: <=0.02%
 Door thickness: 40~120mm

功能特点 Functional

- 欧标锁体6085/4585/3585可选配(反提上锁)双重
- 验证功能: 需通过两种开启方式验证方可开锁
- 智能化语音导航功能
- 备用机械锁芯采用超B级叶片锁芯
- 高强度触摸密码屏
- 虚位密码技术: 在开门密码的前后任意输入数字
- 多用户管理、组合开锁
- 低电量报警: 低电压报警可开启100次
- 外接电源配置: 备用电源接口9V
- EN Standard lock, 6085/4585/3585, Option of Handle lifted locking
- Double verification function: it is required to open the lock by two open methods;
- Intelligent voice guidance function
- Spare cylinder with super B security keys
- High frequency password screen
- Virtual bit cryptography: enter any number before or after opening the password
- Multi-management, Spare power interface
- Low battery alarm: low voltage alarm can be opened 100 times
- External power supply configuration: Spare power interface 9V



FINISH 表面处理: 01 拉丝 03 拉丝金

玻璃门电子锁



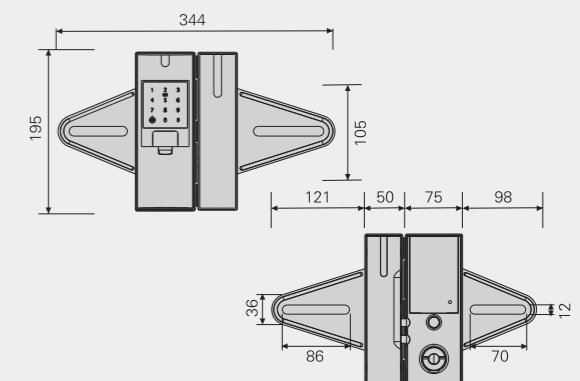
型号: 14.212.019
Model: 14.212.019

技术参数 Technical data

材质: 锌合金
 适用门类型: 双门型, 单门型玻璃门
 适用门厚: 玻璃门12~15mm
 智能锁匙数量: 卡(或密码)100, 指纹500
 电源: DC6V(4节5#电池), DC9V备用电源
 工作电压范围: 4.0~6.0V
 应急供电: 备有应急电源接口, 电压范围6~9V
 静态电流: <=30UA
 工作温度: -20°C~55°C
 工作湿度: <=93%

适用范围: 办公室、商铺、银行、酒店会所等场所
 主要特点: 市面上首款指纹密码功能的玻璃门锁。免开孔, 无需拆卸, 可直接借助玻璃门原把手安装。门锁若异常开启, 可自动报警到户主或物业管理部门。
 开启方式: 指纹 / 密码 / 身份证 / 感应卡 / 手机 / 短信 / 网络 / 遥控器

Material: Zinc alloy
 Applicable door type: Double glass doors, single glass door
 Applicable door thickness: Glass door 12-15mm
 Key capacity: Card (password) 100, fingerprint 500
 Operating voltage: DC6V(4X5#battery), DC9V reserving power
 Operating voltage range: 4.0~6.0V
 Emergency power: Equipped with emergency power interface and 6~9V voltage
 Idle mode current: <=30UA
 Operating temperature: -20~55°C
 Operating humidity: <=93%
 Scope of application: Office building, shop, bank, hotel etc.
 Features: The first glass door lock with fingerprint password functions. No need to drill holes, no need to remove, can be directly installed with the original door handle. If the door is open, the lock will automatically alarm the house owner or the property management department.
 Open mode: Fingerprint / password / ID card / card / SMS / SMS / network / remote controller





Intelligent hotel lock
酒店智能锁

门锁无需布线，独立运行：门锁无需繁杂的布线，利用发卡机发行卡片来完成门锁信息、功能的设置。门锁自独立运行，互不干扰，不会因为网络问题而导致整个系统瘫痪。使安装和维护工作非常简单。

严格的时间控制功能，更突出经济率：严格的时间控制功能，客人住房到期则房卡自动失效，有效避免客人拖欠房租。

客房锁定功能：针对某些需要限制的客房（如欠交房租），可以通过封闭卡对房间进行锁定，则相应的卡不能开锁。

多级别钥匙功能，责权分明：根据酒店管理需求可自行设置应急卡、楼栋卡、楼层卡、客房卡等钥匙，不同岗位的员工配备不同权限的钥匙。

应急卡：可以打开酒店内所有客房，包括反锁的客房，未卡只限应急使用，一般由总经理配备。

楼栋卡：可以开酒店相应楼栋的客房，一般由经理或部长配备。
楼层卡：可以开酒店相应楼层的客房，（一卡可打开多层，灵活设置开门时间段），一般由服务员配备。

宾客卡：客人使用，在有效的住房时间内可以打开自己的客房。

会议室功能：开锁方式可灵活设置为自动开锁（磁卡开锁后，转动把手则门锁自动锁上）和常开状态（磁卡开锁后，门锁一直处于开锁状态），根据需要可以将会议室、通道门锁设置为常开状态。

公共通道门、电梯控制功能：针对酒店的公共通道门和电梯，可以配合门禁控制器、电梯控制器（也可以直接使用门锁），将其设置为相应区域的客人卡可以相应开启或使用，提高安全性。

插卡取电功能：配合卓成插卡取电开关，客人进入房间后插入房卡才能打开房间的电，客人离开房间时拔走门卡，15秒后房间的电源自动切断，有效节能和提高安全性。

匙卡挂失功能：匙卡丢失后，经前台管理系统简单的设置，则丢失的匙卡失效，客人便可以高枕无忧。

新卡终止旧卡功能：当客人未退还匙卡就提前退房，可通过门锁系统发行具有终止旧卡功能的新匙卡，持新匙卡开启门锁后，原来被客人带走的匙卡则自动失效。

开门记录查询功能，加多一份安全：门锁内带数据“黑匣子”，门锁历史开门记录（何时何“人”用何种方式开锁）自动保存以便查询。需配合数据采集器/卡来查询。

逃生功能设计，符合公共安全要求：客人按下室内把手即可同时开启斜舌和反锁，以便紧急情况快速逃生。

虚掩报警功能：当门未关好（虚掩），门锁会发出报警声（适用于美标锁体），提醒客人和服务员重新关好门或检查门锁。

卡片重复使用：卡片可重复使用（十万次使用寿命），既环保又节省成本。卡片可印酒店图案、广告语等，有助提高和宣传酒店形象。

可增设功能：智能卡结算付费功能，实现酒店一卡通，有助提高酒店档次和减少酒店的管理人力物力。

Wireless system, independent operation of the door lock: the door lock doesn't need complicated wiring, and the card issuing machine is used to complete the setting of the door lock information and its' functions. Door lock is completely independent and non-interfering; it cannot be influenced by network problems. All these make the installation and maintenance work simple and easy.

Strictly time control function, more prominent economic rate: strictly time control function. When the guest's lodging expires, the room card will be automatically invalid; it will help effectively avoid the guest's rent arrear problem.

Restrict Guest room function: Sometimes there is a need to restrict the access to the room (such as rent arrears), in this case the room can be locked by the locking of the card, other corresponding cards also cannot be used to unlock.

Multifunctional keys: according to the hotel management needs, key cards can be set as emergency card, building card, floor card, room card and other key cards. Employees of different positions will be assigned with different levels key cards.

Master Card: can unlock all of the locks in the hotel without time limitation, including the locked guest rooms. This card is only for emergency use and kept by General Manager.

Building Card: can unlock the locks of the corresponding building. Usually this card is kept by General Manager or the head of department.

Floor card: can unlock the locks belonging to the corresponding building. Usually this card is kept by service personnel (one card can open different floors; the valid hours can be flexibly set).

Guest card: for the guest use. He/she can open their rooms within the period of staying at the hotel.

Conference room function: unlocking mode can be flexibly set as automatic lock (after unlock with the magnetic card, turn the handle and the lock will be automatically locked) and as normally open mode (after unlock with magnetic card, lock will be in the unlocking state continuously). According to the need, conference room lock, passageway door lock can be set as normally open mode.

Control the public access door and elevator function: according to the hotel's need, public access doors and elevators can be supplied with access controller, elevator controller (also can be used door lock), and it can be set to allow the related Guest card to open or use it, thus help ensure the safety.

The electric power card function: this card matches with electric power switch. After the guest enters the room and inserts card, room will be supplied with electric power. When the guest leaves the room and take away the card, within 15 seconds electric power will be automatically switch off, thus it provides effective energy saving and ensures the safety.

Loss-reporting function: when the key card is lost, it will be invalidated by simple operations at the reception, thus the guest no need to worry about it.

A new Guest Card automatically locks out the key card of the previous guest: when the guest does not return the Guest card and checks out in advance, a new Guest card can be issued by the door lock system. After opening the lock with the new Guest card, previous card will be automatically invalid.

Open door record queries function, additional security level: door lock is equipped with date "data box", history record queries (what time, who and in how opened the lock) automatically saved. To check the data you need the data collector or card.

Panic release function: latch and deadbolt are automatically retracted by pressing the handle, in order to rapid emergency escape.

The latch alarm function: when the door is not closed (unlocked), lock door will send out an alarm sound (applicable to American standard lock body) to remind the guests and the staff to close the door or to check the locks.

The card reuse function: card can be reused (10000 times), this is environmental and cost saving. Card can be printed with hotel design, AD design to improve and promote the image of the hotel.

Additional functions of the card: paying by smart card function, multi-purpose hotel card, all these will improve the hotel grade and reduce human and material resources cost of the hotel.

Hotel door lock management system features 酒店门锁管理系统功能特点



酒店门锁管理系统独特的内部结构和实用性设计，无论硬件与软件，充分考虑人性化设计理念，完善的安保系统，安全又便捷。你可能看不到工艺所留下的痕迹，但没有它就没有你眼前的这款智能锁。Unique internal structure and practical design, regardless of the hardware and software, give full consideration to the humanized design concept, perfect the security system, safe and convenient. You may not see traces left by the technology, but without it, there is no you in front of this smart lock.

感应卡片技术: T5557卡 / MF1感应卡

技术参数
Technical data

工作电压: DC6V直流电池
工作温度: -20 ~ +50°C
工作湿度: 15% ~ 90%RH
功耗: 静态功耗≤20微安, 动态功耗≤200毫安
锁板材质: 不锈钢SUS304
把手材质: 不锈钢SUS304
适用门厚: 适用于门厚度30mm以上

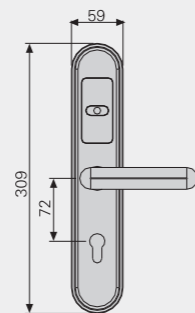
Card technology: EMcard/T5557 card/Mifare card
Working voltage: DC6V,DC battery
Working temperature: -20 ~ +50°C
Working humidity: 15% ~ 90%RH
Power Consumption: Static current: ≤20 uA, Dynamic current: ≤200 mA
Lock Shell: SUS304 stainless steel
Handle: SUS304 stainless steel
Door Thickness : More than 30mm

功能特点
Functional

- 多点发卡: 可以同时一百个点发卡
- 团队发卡: 团队发卡迅速快捷
- 微波感应: 性能最稳定的感应技术
- 退房卡: 用一张退房卡可以终止所有客人卡开门
- 备用卡: 酒店长期停电时, 客人可以使用备用卡开门
- 统计报表功能: 经理可以通过系统统计报表功能, 查询酒店的各种报表
- 多级管理功能
- 低电压报警功能
- 未上好锁报警功能
- 不锈钢欧标锁体
- Multipoint card: one hundred points can be sent at the same time
- Team service: team service fast and fast
- Multipoint card: one hundred points can be sent at the same time
- Check out card: use a check out card to terminate all guests
- KakamenStandby card: when the hotel is out of power for a long time, the guest can use the standby card to open the door
- Statistical report function: the manager can inquire the hotel's various reports through the system statistical report function
- Multi-management
- Low voltage alarm function
- Lock Failure Alarm
- Stainless steel European standard lock



型号: 12.510.001
Model: 12.510.001



FINISH 表面处理: ▲ 拉丝 01 ▲ 拉丝金 03

感应卡片技术: T5557卡 / MF1感应卡

技术参数
Technical data

工作电压: DC6V直流电池
工作温度: -20 ~ +50°C
工作湿度: 15% ~ 90%RH
功耗: 静态功耗≤20微安, 动态功耗≤200毫安
锁板材质: 不锈钢SUS304
把手材质: 不锈钢SUS304
适用门厚: 适用于门厚度35mm以上

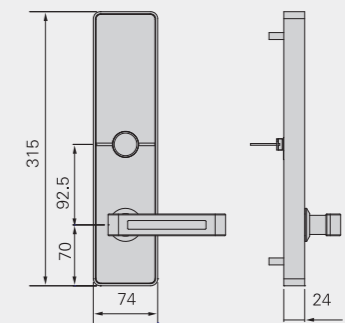
Working voltage: DC6V,DC battery
Working temperature: -20 ~ +50°C
Working humidity: 15% ~ 90%RH
Power Consumption: Static current: ≤20 uA, Dynamic current: ≤200 mA
Lock Shell: SUS304 stainless steel
Handle: SUS304 stainless steel
Door Thickness : More than 35mm

功能特点
Functional

- 多点发卡: 可以同时一百个点发卡
- 团队发卡: 团队发卡迅速快捷
- 微波感应: 性能最稳定的感应技术
- 退房卡: 用一张退房卡可以终止所有客人卡开门
- 备用卡: 酒店长期停电时, 客人可以使用备用卡开门
- 统计报表功能: 经理可以通过系统统计报表功能, 查询酒店的各种报表
- 多级管理功能
- 低电压报警功能
- 未上好锁报警功能
- 美国标准五舌锁体
- Multipoint card: one hundred points can be sent at the same time
- Team service: team service fast and fast
- Multipoint card: one hundred points can be sent at the same time
- Check out card: use a check out card to terminate all guests
- KakamenStandby card: when the hotel is out of power for a long time, the guest can use the standby card to open the door
- Statistical report function: the manager can inquire the hotel's various reports through the system statistical report function
- Multi-management
- Low voltage alarm function
- Lock Failure Alarm
- American standard lock



型号: 12.610.001
Model: 12.610.001



FINISH 表面处理: ▲ 拉丝 01 ▲ 拉丝金 03

感应卡片技术: T5557卡 / MF1感应卡

技术参数
Technical data

工作电压: DC6V直流电池
工作温度: -20 ~ +50°C
工作湿度: 15% ~ 90%RH
功耗: 静态功耗≤20微安, 动态功耗≤200毫安
锁板材质: 不锈钢SUS304
把手材质: 不锈钢SUS304
适用门厚: 适用于门厚度35mm以上

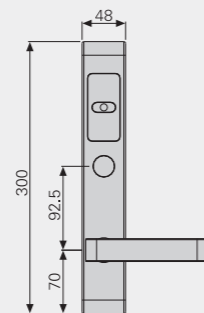
Working voltage: DC6V,DC battery
Working temperature: -20 ~ +50°C
Working humidity: 15% ~ 90%RH
Power Consumption: Static current: ≤20 uA, Dynamic current: ≤200 mA
Lock Shell: SUS304 stainless steel
Handle: SUS304 stainless steel
Door Thickness : More than 35mm

功能特点
Functional

- 多点发卡: 可以同时一百个点发卡
- 团队发卡: 团队发卡迅速快捷
- 微波感应: 性能最稳定的感应技术
- 退房卡: 用一张退房卡可以终止所有客人卡开门
- 备用卡: 酒店长期停电时, 客人可以使用备用卡开门
- 统计报表功能: 经理可以通过系统统计报表功能, 查询酒店的各种报表
- 多级管理功能
- 低电压报警功能
- 未上好锁报警功能
- 美国标准五舌锁体
- Multipoint card: one hundred points can be sent at the same time
- Team service: team service fast and fast
- Multipoint card: one hundred points can be sent at the same time
- Check out card: use a check out card to terminate all guests
- KakamenStandby card: when the hotel is out of power for a long time,the guest can use the standby card to open the door
- Statistical report function: the manager can inquire the hotel's variousreports through the system statistical report function
- Multi-management
- Low voltage alarm function
- Lock Failure Alarm
- American standard lock



型号: 12.610.001
Model: 12.610.001



FINISH 表面处理: ▲ 拉丝 01 ▲ 拉丝金 03

感应卡片技术: T5557卡 / MF1感应卡

技术参数
Technical data

工作电压: DC6V直流电池
工作温度: -20 ~ +50°C
工作湿度: 15% ~ 90%RH
功耗: 静态功耗≤20微安, 动态功耗≤200毫安
锁板材质: 不锈钢SUS304
把手材质: 不锈钢SUS304
适用门厚: 适用于门厚度35mm以上

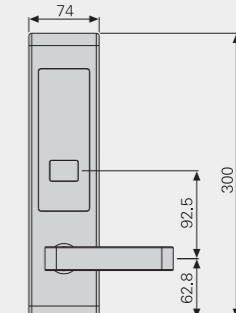
Working voltage: DC6V,DC battery
Working temperature: -20 ~ +50°C
Working humidity: 15% ~ 90%RH
Power Consumption: Static current: ≤20 uA, Dynamic current: ≤200 mA
Lock Shell: SUS304 stainless steel
Handle: SUS304 stainless steel
Door Thickness : More than 35mm

功能特点
Functional

- 多点发卡: 可以同时一百个点发卡
- 团队发卡: 团队发卡迅速快捷
- 微波感应: 性能最稳定的感应技术
- 退房卡: 用一张退房卡可以终止所有客人卡开门
- 备用卡: 酒店长期停电时, 客人可以使用备用卡开门
- 统计报表功能: 经理可以通过系统统计报表功能, 查询酒店的各种报表
- 多级管理功能
- 低电压报警功能
- 未上好锁报警功能
- 美国标准五舌锁体
- Multipoint card: one hundred points can be sent at the same time
- Team service: team service fast and fast
- Multipoint card: one hundred points can be sent at the same time
- Check out card: use a check out card to terminate all guests
- KakamenStandby card: when the hotel is out of power for a long time,the guest can use the standby card to open the door
- Statistical report function: the manager can inquire the hotel's variousreports through the system statistical report function
- Multi-management
- Low voltage alarm function
- Lock Failure Alarm
- American standard lock



型号: 12.830.001
Model: 12.830.001



FINISH 表面处理: ▲ 拉丝 01 ▲ 拉丝金 03

感应卡片技术: T5557卡 / MF1感应卡

技术参数
Technical data

工作电压: DC6V直流电池
工作温度: -20 ~ +50°C
工作湿度: 15% ~ 90%RH
功耗: 静态功耗≤20微安, 动态功耗≤200毫安
锁板材质: 不锈钢SUS304
把手材质: 不锈钢SUS304
适用门厚: 适用于门厚度35mm以上

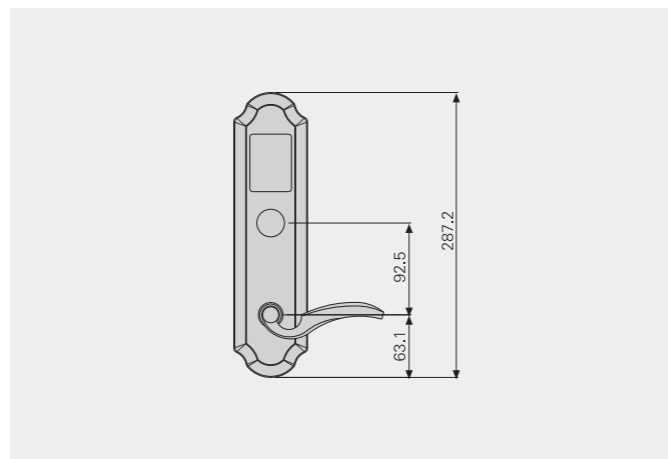
Working voltage: DC6V,DC battery
Working temperature: -20 ~ +50°C
Working humidity: 15% ~ 90%RH
Power Consumption: Static current: ≤20 uA, Dynamic current: ≤200 mA
Lock Shell: SUS304 stainless steel
Handle: SUS304 stainless steel
Door Thickness : More than 35mm

功能特点
Functional

- 多点发卡: 可以同时一百个点发卡
- 团队发卡: 团队发卡迅速快捷
- 微波感应: 性能最稳定的感应技术
- 退房卡: 用一张退房卡可以终止所有客人卡开门
- 备用卡: 酒店长期停电时, 客人可以使用备用卡开门
- 统计报表功能: 经理可以通过系统统计报表功能, 查询酒店的各种报表
- 多级管理功能
- 低电压报警功能
- 未上好锁报警功能
- 美国标准五舌锁体
- Multipoint card: one hundred points can be sent at the same time
- Team service: team service fast and fast
- Multipoint card: one hundred points can be sent at the same time
- Check out card: use a check out card to terminate all guests
- KakamenStandby card: when the hotel is out of power for a long time,the guest can use the standby card to open the door
- Statistical report function: the manager can inquire the hotel's variousreports through the system statistical report function
- Multi-management
- Low voltage alarm function
- Lock Failure Alarm
- American standard lock



型号: 12.310.001
Model: 12.310.001



FINISH 表面处理: ▲ 拉丝 01 ▲ 拉丝金 03

感应卡片技术: T5557卡 / MF1感应卡

技术参数
Technical data

工作电压: DC6V直流电池
工作温度: -20 ~ +50°C
工作湿度: 15% ~ 90%RH
功耗: 静态功耗≤20微安, 动态功耗≤200毫安
锁板材质: 不锈钢SUS304
把手材质: 不锈钢SUS304
适用门厚: 适用于门厚度35mm以上

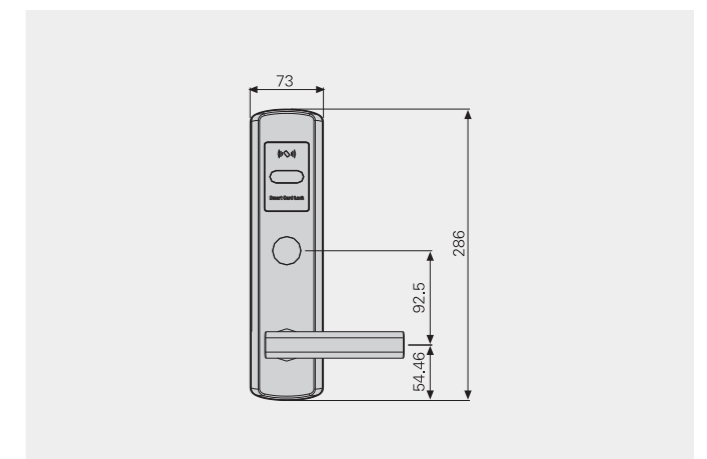
Working voltage: DC6V,DC battery
Working temperature: -20 ~ +50°C
Working humidity: 15% ~ 90%RH
Power Consumption: Static current: ≤20 uA, Dynamic current: ≤200 mA
Lock Shell: SUS304 stainless steel
Handle: SUS304 stainless steel
Door Thickness : More than 35mm

功能特点
Functional

- 多点发卡: 可以同时一百个点发卡
- 团队发卡: 团队发卡迅速快捷
- 微波感应: 性能最稳定的感应技术
- 退房卡: 用一张退房卡可以终止所有客人卡开门
- 备用卡: 酒店长期停电时, 客人可以使用备用卡开门
- 统计报表功能: 经理可以通过系统统计报表功能, 查询酒店的各种报表
- 多级管理功能
- 低电压报警功能
- 未上好锁报警功能
- 美国标准五舌锁体
- Multipoint card: one hundred points can be sent at the same time
- Team service: team service fast and fast
- Multipoint card: one hundred points can be sent at the same time
- Check out card: use a check out card to terminate all guests
- KakamenStandby card: when the hotel is out of power for a long time,the guest can use the standby card to open the door
- Statistical report function: the manager can inquire the hotel's variousreports through the system statistical report function
- Multi-management
- Low voltage alarm function
- Lock Failure Alarm
- American standard lock



型号: 12.820.001
Model: 12.820.001



FINISH 表面处理: ▲ 拉丝 01 ▲ 拉丝金 03

感应卡片技术: T5557卡 / MF1感应卡

技术参数
Technical data

工作电压: DC6V直流电池
工作温度: -20 ~ +50°C
工作湿度: 15% ~ 90%RH
功耗: 静态功耗≤20微安, 动态功耗≤200毫安
锁板材质: 不锈钢SUS304
把手材质: 不锈钢SUS304
适用门厚: 适用于门厚度35mm以上

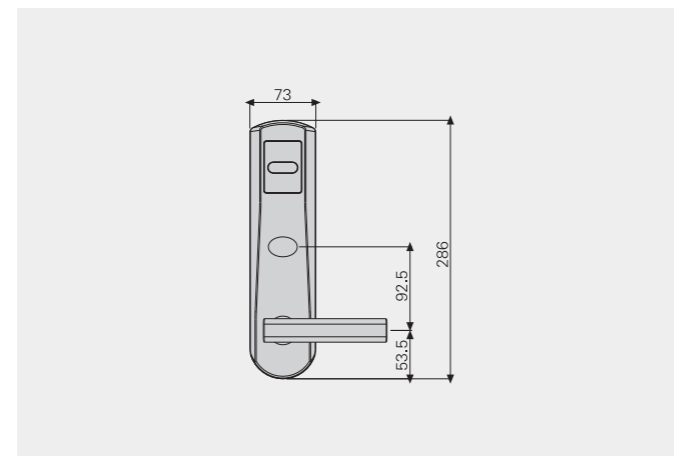
Working voltage: DC6V,DC battery
Working temperature: -20 ~ +50°C
Working humidity: 15% ~ 90%RH
Power Consumption: Static current: ≤20 uA,
Dynamic current: ≤200 mA
Lock Shell: SUS304 stainless steel
Handle: SUS304 stainless steel
Door Thickness : More than 35mm

功能特点
Functional

- 多点发卡: 可以同时一百个点发卡
 - 团队发卡: 团队发卡迅速快捷
 - 微波感应: 性能最稳定的感应技术
 - 退房卡: 用一张退房卡可以终止所有客人卡开门
 - 备用卡: 酒店长期停电时, 客人可以使用备用卡开门
 - 统计报表功能: 经理可以通过系统统计报表功能, 查询酒店的各种报表
 - 多级管理功能
 - 低电压报警功能
 - 未上好锁报警功能
 - 美国标准五舌锁体
- Multipoint card: one hundred points can be sent at the same time
 - Team service: team service fast and fast
 - Multipoint card: one hundred points can be sent at the same time
 - Check out card: use a check out card to terminate all guests
 - KakamenStandby card: when the hotel is out of power for a long time,the guest can use the standby card to open the door
 - Statistical report function: the manager can inquire the hotel's variousreports through the system statistical report function
 - Multi-management
 - Low voltage alarm function
 - Lock Failure Alarm
 - American standard lock



型号: 12.620.001
Model: 12.620.001



FINISH 表面处理: ▲ 拉丝 01 ▲ 拉丝金 03

感应卡片技术: T5557卡 / MF1感应卡

技术参数
Technical data

工作电压: DC6V直流电池
工作温度: -20 ~ +50°C
工作湿度: 15% ~ 90%RH
功耗: 静态功耗≤20微安, 动态功耗≤200毫安
锁板材质: 不锈钢SUS304
把手材质: 不锈钢SUS304
适用门厚: 适用于门厚度35mm以上

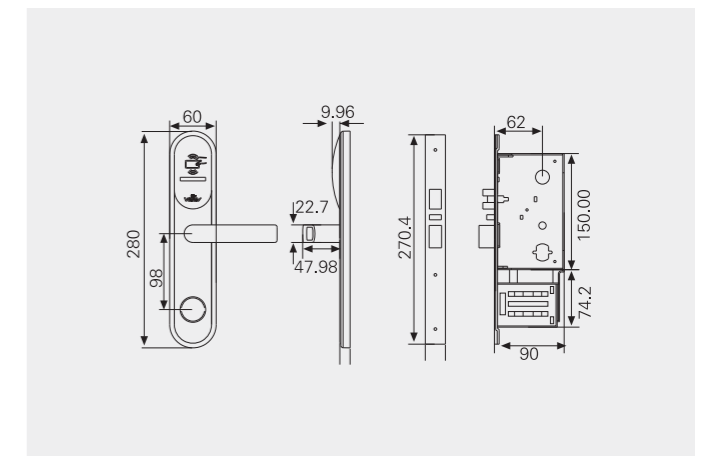
Working voltage: DC6V,DC battery
Working temperature: -20 ~ +50°C
Working humidity: 15% ~ 90%RH
Power Consumption: Static current: ≤20 uA,
Dynamic current: ≤200 mA
Lock Shell: SUS304 stainless steel
Handle: SUS304 stainless steel
Door Thickness : More than 35mm

功能特点
Functional

- 多点发卡: 可以同时一百个点发卡
 - 团队发卡: 团队发卡迅速快捷
 - 微波感应: 性能最稳定的感应技术
 - 退房卡: 用一张退房卡可以终止所有客人卡开门
 - 备用卡: 酒店长期停电时, 客人可以使用备用卡开门
 - 统计报表功能: 经理可以通过系统统计报表功能, 查询酒店的各种报表
 - 多级管理功能
 - 低电压报警功能
 - 未上好锁报警功能
 - 美国标准五舌锁体
- Multipoint card: one hundred points can be sent at the same time
 - Team service: team service fast and fast
 - Multipoint card: one hundred points can be sent at the same time
 - Check out card: use a check out card to terminate all guests
 - KakamenStandby card: when the hotel is out of power for a long time,the guest can use the standby card to open the door
 - Statistical report function: the manager can inquire the hotel's variousreports through the system statistical report function
 - Multi-management
 - Low voltage alarm function
 - Lock Failure Alarm
 - American standard lock



型号: 12.870.001
Model: 12.870.001



FINISH 表面处理: ▲ 拉丝 01 ▲ 抛光 02 ▲ 拉丝金 03 ▲ 亮金 04

感应卡片技术: T5557卡 / MF1感应卡

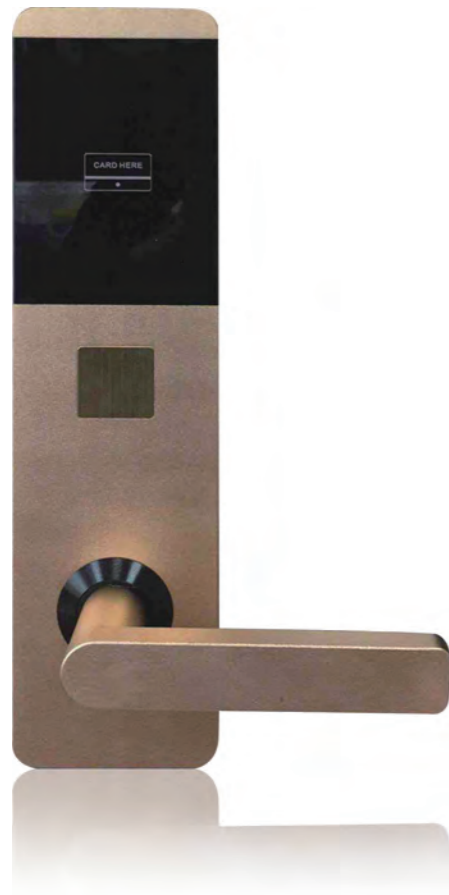
技术参数
Technical data

工作电压: 12VDC
 工作电流: 1A
 锁板材质: 实心钛铝合金
 把手材质: 实心钛铝合金
 适用门厚: 适用于门厚度38mm以上

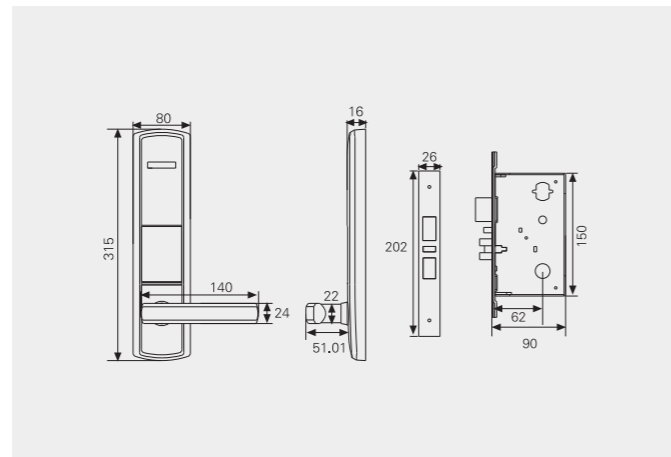
Working voltage: 12VDC
 Working current: 1A
 Lock Shell: Solid titanium aluminum alloy
 Handle: Solid titanium aluminum alloy
 Door Thickness : More than 38mm

功能特点
Functional

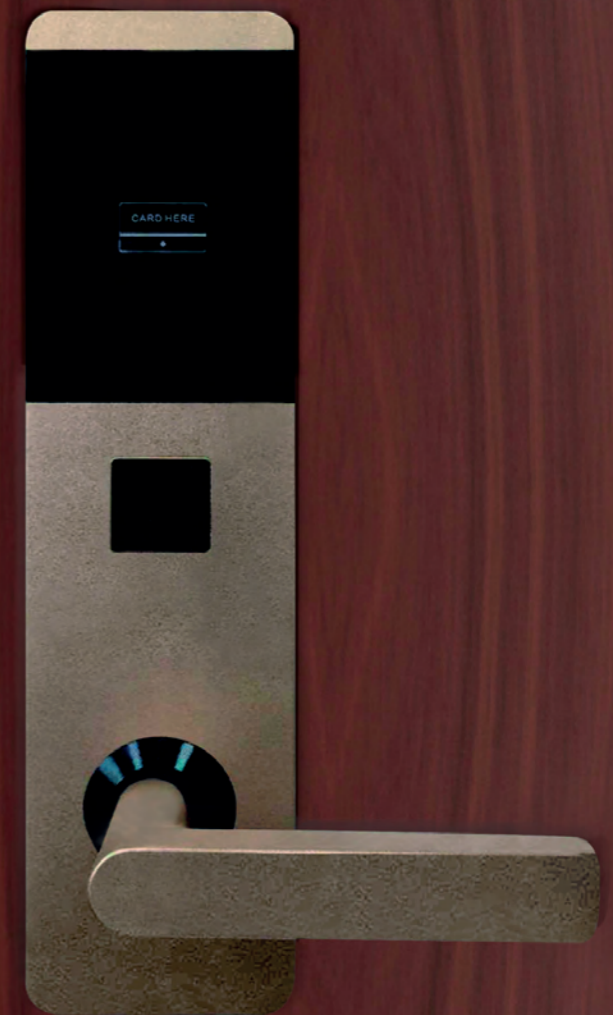
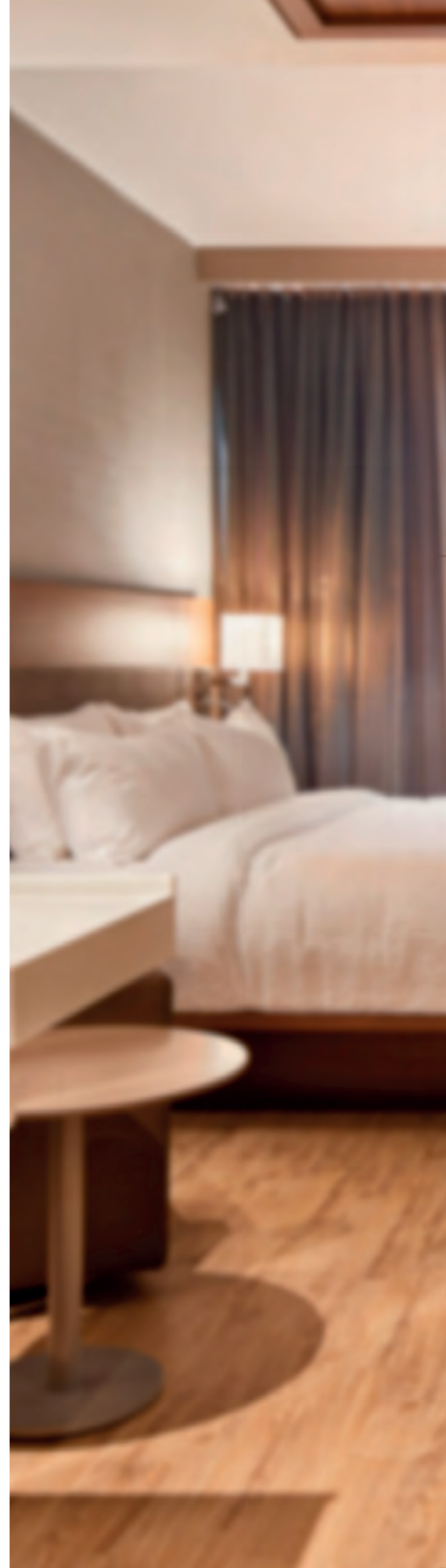
- 可配合M1 card系统实现一卡通管理;
 - 感应识别, 刷卡选择客人指定楼层;
 - 非有效卡无法进入, 方便管理;
 - 电梯控制器可选择智慧识别型, 刷卡自动到达客人指定楼层, 无需按键;
 - 智慧识别型, 单个模块可控制8个楼层, 可最多控制32个楼, 支持订制。
- Can cooperate with M1 card system to achieve one-card management.
 - Induction identification, swipe card select guest designated floor
 - Effective card can enter, easy to manage
 - Elevator controller can select intelligent identification type, swipecard automatically to the guest designated floor, no button.
 - Intelligent identification, a single module can control 8 floors, can control up to 32 floors, support customization.



型号: 12.825.015
 Model: 12.825.015



FINISH 表面处理: 黑色 13 砂金色 03 红古 06



感应卡片技术:T5557卡/MF1感应卡

技术参数
Technical data

工作电压: DC6V直流电池
工作温度: -20 ~ +50°C
工作湿度: 15% ~ 90%RH
功耗: 静态功耗≤20微安, 动态功耗≤200毫安
锁板材质: 不锈钢SUS304
把手材质: 不锈钢SUS304
适用门厚: 适用于门厚度35mm以上

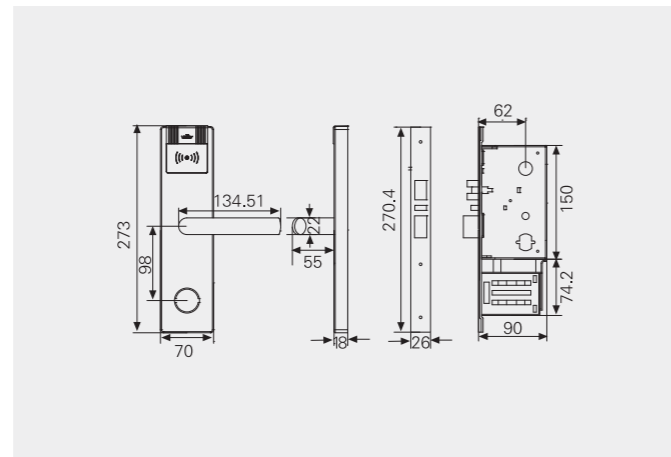
Working voltage: DC6V,DC battery
Working temperature: -20 ~ +50°C
Working humidity: 15% ~ 90%RH
Power Consumption: Static current: ≤20 uA, Dynamic current: ≤200 mA
Lock Shell: SUS304 stainless steel
Handle: SUS304 stainless steel
Door Thickness : More than 35mm

功能特点
Functional

- 多点发卡: 可以同时一百个点发卡
- 团队发卡: 团队发卡迅速快捷
- 微波感应: 性能最稳定的感应技术
- 退房卡: 用一张退房卡可以终止所有客人卡开门
- 备用卡: 酒店长期停电时, 客人可以使用备用卡开门
- 统计报表功能: 经理可以通过系统统计报表功能, 查询酒店的各种报表
- 多级管理功能
- 低电压报警功能
- 未上好锁报警功能
- 美国标准五舌锁体
- Multipoint card: one hundred points can be sent at the same time
- Team service: team service fast and fast
- Multipoint card: one hundred points can be sent at the same time
- Check out card: use a check out card to terminate all guests
- KakamenStandby card: when the hotel is out of power for a long time,the guest can use the standby card to open the door
- Statistical report function: the manager can inquire the hotel's variousreports through the system statistical report function
- Multi-management
- Low voltage alarm function
- Lock Failure Alarm
- American standard lock



型号: 12.880.001
Model: 12.880.001



FINISH 表面处理: ▲ 拉丝 02 ▲ 亮银 02 ▲ 拉丝金 03 ▲ 亮金 04

感应卡片技术:T5557卡/MF1感应卡

技术参数
Technical data

工作电压: DC6V直流电池
工作温度: -20 ~ +50°C
工作湿度: 15% ~ 90%RH
功耗: 静态功耗≤20微安, 动态功耗≤200毫安
锁板材质: 不锈钢SUS304
把手材质: 不锈钢SUS304
适用门厚: 适用于门厚度35mm以上

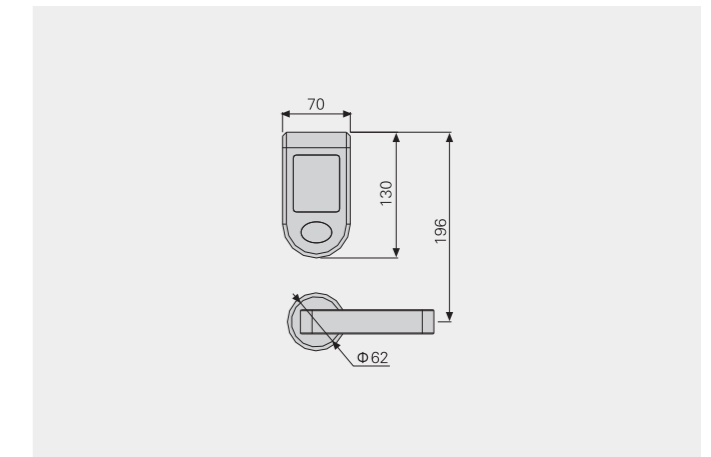
Working voltage: DC6V,DC battery
Working temperature: -20 ~ +50°C
Working humidity: 15% ~ 90%RH
Power Consumption: Static current: ≤20 uA, Dynamic current: ≤200 mA
Lock Shell: SUS304 stainless steel
Handle: SUS304 stainless steel
Door Thickness : More than 35mm

功能特点
Functional

- 多点发卡: 可以同时一百个点发卡
- 团队发卡: 团队发卡迅速快捷
- 微波感应: 性能最稳定的感应技术
- 退房卡: 用一张退房卡可以终止所有客人卡开门
- 备用卡: 酒店长期停电时, 客人可以使用备用卡开门
- 统计报表功能: 经理可以通过系统统计报表功能, 查询酒店的各种报表
- 多级管理功能
- 低电压报警功能
- 未上好锁报警功能
- 美国标准五舌锁体
- Multipoint card: one hundred points can be sent at the same time
- Team service: team service fast and fast
- Multipoint card: one hundred points can be sent at the same time
- Check out card: use a check out card to terminate all guests
- KakamenStandby card: when the hotel is out of power for a long time,the guest can use the standby card to open the door
- Statistical report function: the manager can inquire the hotel's variousreports through the system statistical report function
- Multi-management
- Low voltage alarm function
- Lock Failure Alarm
- American standard lock



型号: 12.610.001
Model: 12.610.001



FINISH 表面处理: ▲ 拉丝 01 ▲ 拉丝金 03

感应卡片技术: T5557卡/MF1感应卡

技术参数
Technical data

工作电压: DC6V直流电池
工作温度: -20 ~ +50°C
工作湿度: 15% ~ 90%RH
功耗: 静态功耗≤20微安, 动态功耗≤200毫安
锁板材质: 不锈钢SUS304
把手材质: 不锈钢SUS304
适用门厚: 适用于门厚度35mm以上

Working voltage: DC6V,DC battery
Working temperature: -20 ~ +50°C
Working humidity: 15% ~ 90%RH
Power Consumption: Static current: ≤20 uA, Dynamic current: ≤200 mA
Lock Shell: SUS304 stainless steel
Handle: SUS304 stainless steel
Door Thickness : More than 35mm

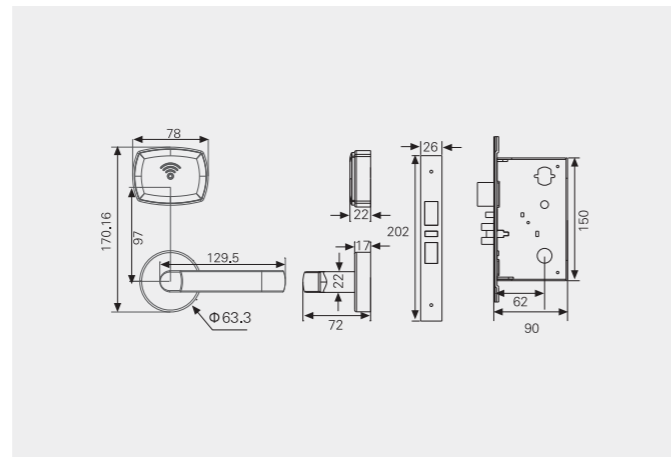


功能特点
Functional

- 多点发卡: 可以同时一百个点发卡
- 团队发卡: 团队发卡迅速快捷
- 微波感应: 性能最稳定的感应技术
- 退房卡: 用一张退房卡可以终止所有客人卡开门
- 备用卡: 酒店长期停电时, 客人可以使用备用卡开门
- 统计报表功能: 经理可以通过系统统计报表功能, 查询酒店的各种报表
- 多级管理功能
- 低电压报警功能
- 未上好锁报警功能
- 美国标准五舌锁体
- Multipoint card: one hundred points can be sent at the same time
- Team service: team service fast and fast
- Multipoint card: one hundred points can be sent at the same time
- Check out card: use a check out card to terminate all guests
- KakamenStandby card: when the hotel is out of power for a long time, the guest can use the standby card to open the door
- Statistical report function: the manager can inquire the hotel's various reports through the system statistical report function
- Multi-management
- Low voltage alarm function
- Lock Failure Alarm
- American standard lock



型号: 12.836.003
Model: 12.836.003



FINISH 表面处理: ▲ 拉丝 01 ▲ 银色 02 ▲ 金色 03

感应卡片技术: T5557卡/MF1感应卡

技术参数
Technical data

工作电压: DC6V直流电池
工作温度: -20 ~ +50°C
工作湿度: 15% ~ 90%RH
功耗: 静态功耗≤20微安, 动态功耗≤200毫安
锁板材质: 不锈钢SUS304
把手材质: 不锈钢SUS304
适用门厚: 适用于门厚度35mm以上

Working voltage: DC6V,DC battery
Working temperature: -20 ~ +50°C
Working humidity: 15% ~ 90%RH
Power Consumption: Static current: ≤20 uA, Dynamic current: ≤200 mA
Lock Shell: SUS304 stainless steel
Handle: SUS304 stainless steel
Door Thickness : More than 35mm

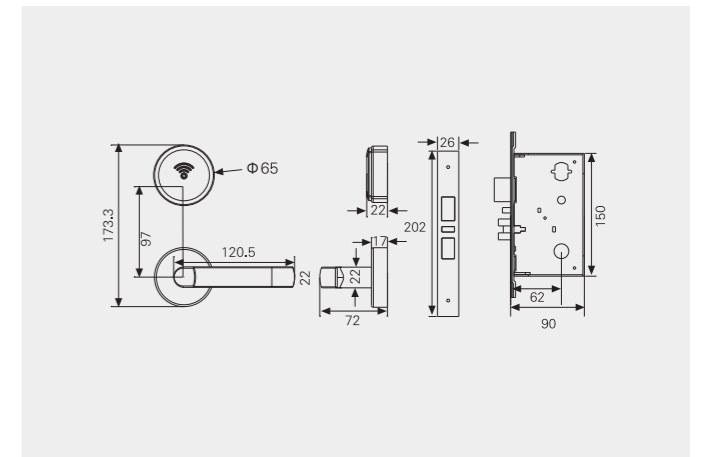


功能特点
Functional

- 多点发卡: 可以同时一百个点发卡
- 团队发卡: 团队发卡迅速快捷
- 微波感应: 性能最稳定的感应技术
- 退房卡: 用一张退房卡可以终止所有客人卡开门
- 备用卡: 酒店长期停电时, 客人可以使用备用卡开门
- 统计报表功能: 经理可以通过系统统计报表功能, 查询酒店的各种报表
- 多级管理功能
- 低电压报警功能
- 未上好锁报警功能
- 美国标准五舌锁体
- Multipoint card: one hundred points can be sent at the same time
- Team service: team service fast and fast
- Multipoint card: one hundred points can be sent at the same time
- Check out card: use a check out card to terminate all guests
- KakamenStandby card: when the hotel is out of power for a long time, the guest can use the standby card to open the door
- Statistical report function: the manager can inquire the hotel's various reports through the system statistical report function
- Multi-management
- Low voltage alarm function
- Lock Failure Alarm
- American standard lock



型号: 12.800.001
Model: 12.800.001



FINISH 表面处理: ▲ 黑色 01 ▲ 金色 03 ▲ 红古 06

桑拿、浴室、柜门锁 Sauna/Bathroom/Cabinet Lock



13.002.002



13.002.004



13.104.002



13.104.003



13.106.002



13.106.004



13.103.006



13.105.003



13.103.002



13.105.001



13.001.004

技术参数
Technical data

- 独立模式 (ID/M1)
 - 1、锁上直接配卡
 - 2、母卡管理, 选配单双卡模式
 - 3、可选配总管卡、服务生卡
 - 4、卡丢失可用管理卡挂失
 - 5、适配06锁体
- Card Type: ID/M1
 1. Lock The Card Directly
 2. Master Card Management, Single And Double Card Mode
 3. Optional Master Card, Waiter Card
 4. Card Loss Can Be Reported By Management Card
 5. Suit 06 Lockcase
- 手机柜锁模式ID/M1 独立模式
 - 1、锁上设置双管理卡, 无需配客户卡
 - 2、管理卡可互配: 即其中一张管理卡丢失, 可用另一张生成新管理卡
 - 3、客户用任意卡锁定任意柜子, 谁锁谁开
 - 4、客人卡丢失, 可用管理卡开启, 丢失卡失效
 - 5、适配06锁体
 - 6、M1卡可选择电脑系统管理
- Mobile Phone Cabinet Lock Mode Card Type: ID/M1
 1. The double management card is set up on the lock, no need to set the customer card;
 2. The management card can be matched mutually;eg: one of the management cards is lost, the other can be used to generate a new Management card;
 3. The customer uses any card to lock any cabinet, who locks who opens;
 4. The customer card is lost, the management card can be opened, the lost card is invalid.
 5. Suit 06 lockcase
 6. M1 type can use system management
- 系统发卡式柜锁M1
 - 1、系统直接发行管理卡和客人卡, 无需固定手牌
 - 2、客户只能开指定柜锁
 - 3、集中管理, 分区管理客人卡丢失, 管理卡开锁
 - 4、适配06锁体
- System Mode Card Type: M1
 1. The computer system issues the management card and the manager card, the loss may reissue the system;
 2. The customer uses any card to lock any cabinet, who locks who opens;
 3. The customer card is lost, the management card can be opened, the lost card is invalid.
 4. Suit 06 lockcase
- 密码柜锁ID/M1
 - 1、锁上配置智能卡管理, 可设置管理密码
 - 2、门锁开启状态下设定锁柜密码, 开锁密码相同
 - 3、客户忘记密码可用管理密码或者管理卡开启, 并原密码失效
 - 4、适配05锁体
- Keypad Cabinet Lock Card Type: ID
 1. Configure smart card management on the lock to set the management password
 2. When the door lock is open, set the lock password, the opening password is the same.
 3. The customer forgot the password can be used to manage the password or management card open, and the original password is invalid
 4. Suit 05 lock

桑拿、浴室、柜门锁 Sauna/Bathroom/Cabinet Lock



13.107.001



13.107.003



13.210.001



13.210.003



13.108.001



13.109.001



13.310.001



13.211.001



13.410.013



13.411.013



13.000.000



13.100.000

技术参数
Technical data

- 独立模式 (ID/M1)
 - 1、锁上直接配卡
 - 2、母卡管理, 选配单双卡模式
 - 3、可选配总管卡、服务生卡
 - 4、卡丢失可用管理卡挂失
 - 5、适配06锁体
- Card Type: ID/M1
 1. Lock The Card Directly
 2. Master Card Management, Single And Double Card Mode
 3. Optional Master Card, Waiter Card
 4. Card Loss Can Be Reported By Management Card
 5. Suit 06 Lockcase
- 手机柜锁模式ID/M1 独立模式
 - 1、锁上设置双管理卡, 无需配客户卡
 - 2、管理卡可互配: 即其中一张管理卡丢失, 可用另一张生成新管理卡
 - 3、客户用任意卡锁定任意柜子, 谁锁谁开
 - 4、客人卡丢失, 可用管理卡开启, 丢失卡失效
 - 5、适配06锁体
 - 6、M1卡可选择电脑系统管理
- Mobile Phone Cabinet Lock Mode Card Type: ID/M1
 1. The double management card is set up on the lock, no need to set the customer card;
 2. The management card can be matched mutually;eg: one of the management cards is lost, the other can be used to generate a new Management card;
 3. The customer uses any card to lock any cabinet, who locks who opens;
 4. The customer card is lost, the management card can be opened, the lost card is invalid.
 5. Suit 06 lockcase
 6. M1 type can use system management
- 系统发卡式柜锁M1
 - 1、系统直接发行管理卡和客人卡, 无需固定手牌
 - 2、客户只能开指定柜锁
 - 3、集中管理, 分区管理客人卡丢失, 管理卡开锁
 - 4、适配06锁体
- System Mode Card Type: M1
 1. The computer system issues the management card and the manager card, the loss may reissue the system;
 2. The customer uses any card to lock any cabinet, who locks who opens;
 3. The customer card is lost, the management card can be opened, the lost card is invalid.
 4. Suit 06 lockcase
- 密码柜锁ID/M1
 - 1、锁上配置智能卡管理, 可设置管理密码
 - 2、门锁开启状态下设定锁柜密码, 开锁密码相同
 - 3、客户忘记密码可用管理密码或者管理卡开启, 并原密码失效
 - 4、适配05锁体
- Keypad Cabinet Lock Card Type: ID
 1. Configure smart card management on the lock to set the management password
 2. When the door lock is open, set the lock password, the opening password is the same.
 3. The customer forgot the password can be used to manage the password or management card open, and the original password is invalid
 4. Suit 05 lock