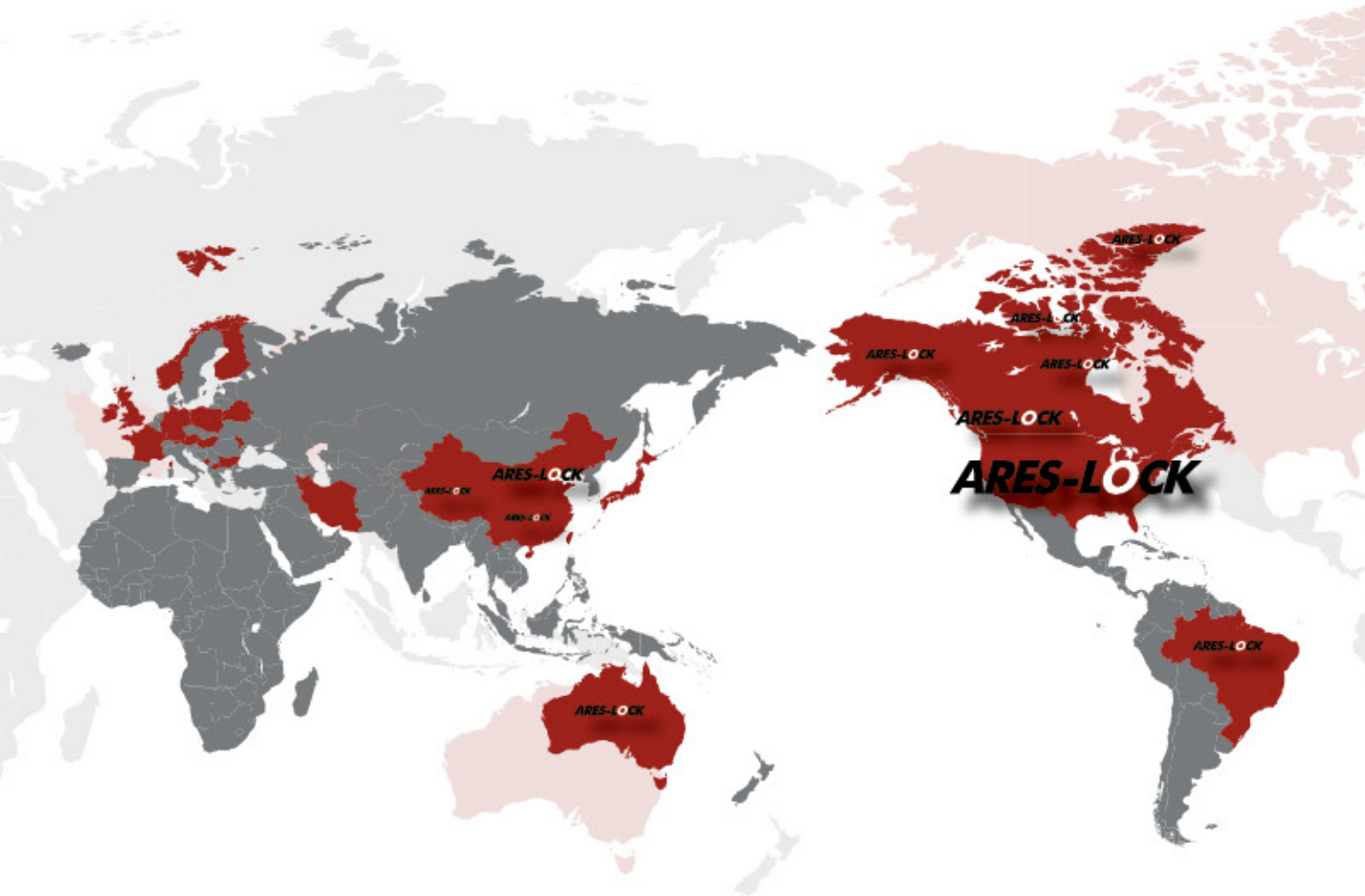
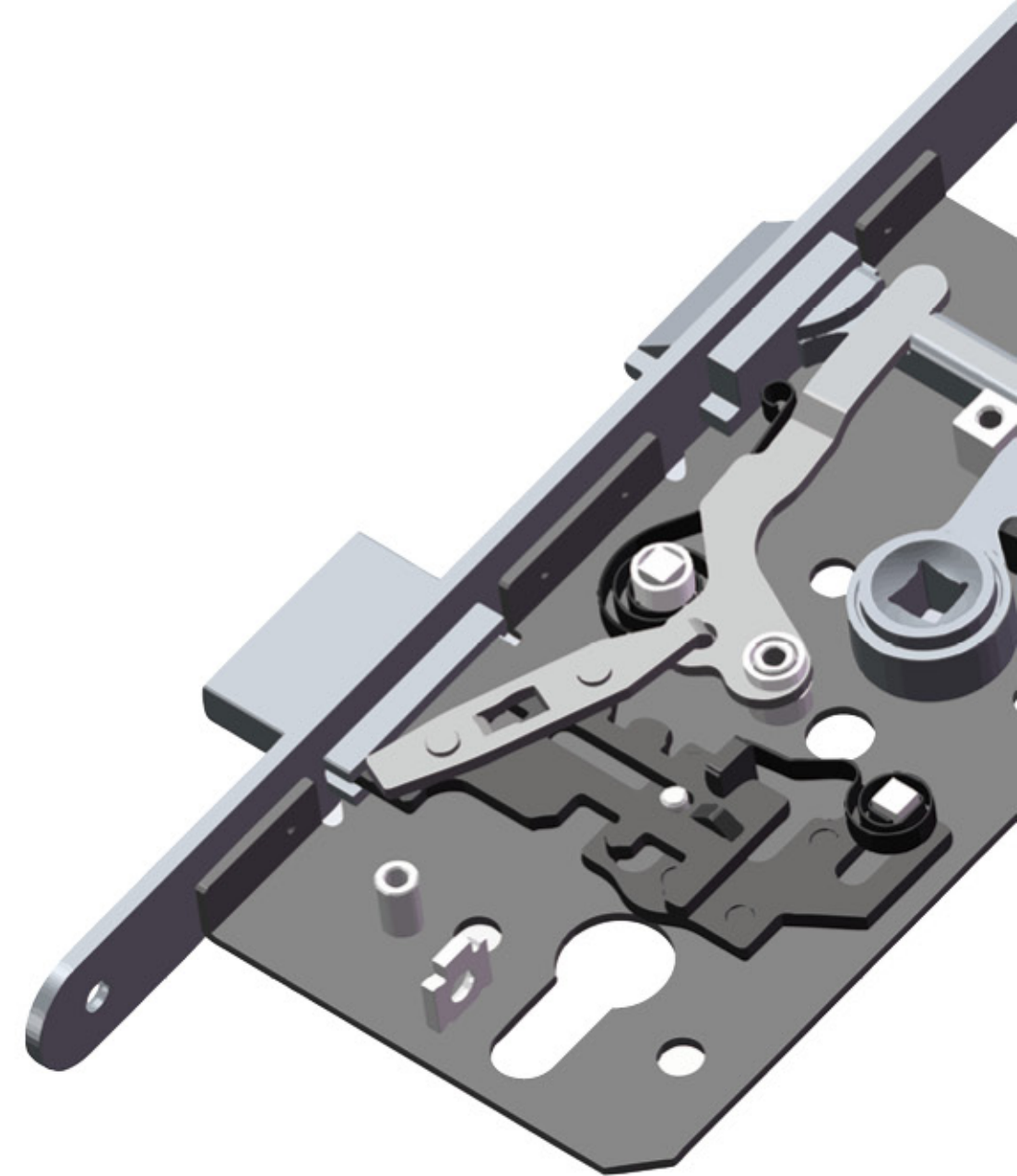


www.areslock.com.cn  
**MORTISE**  
LOCKS

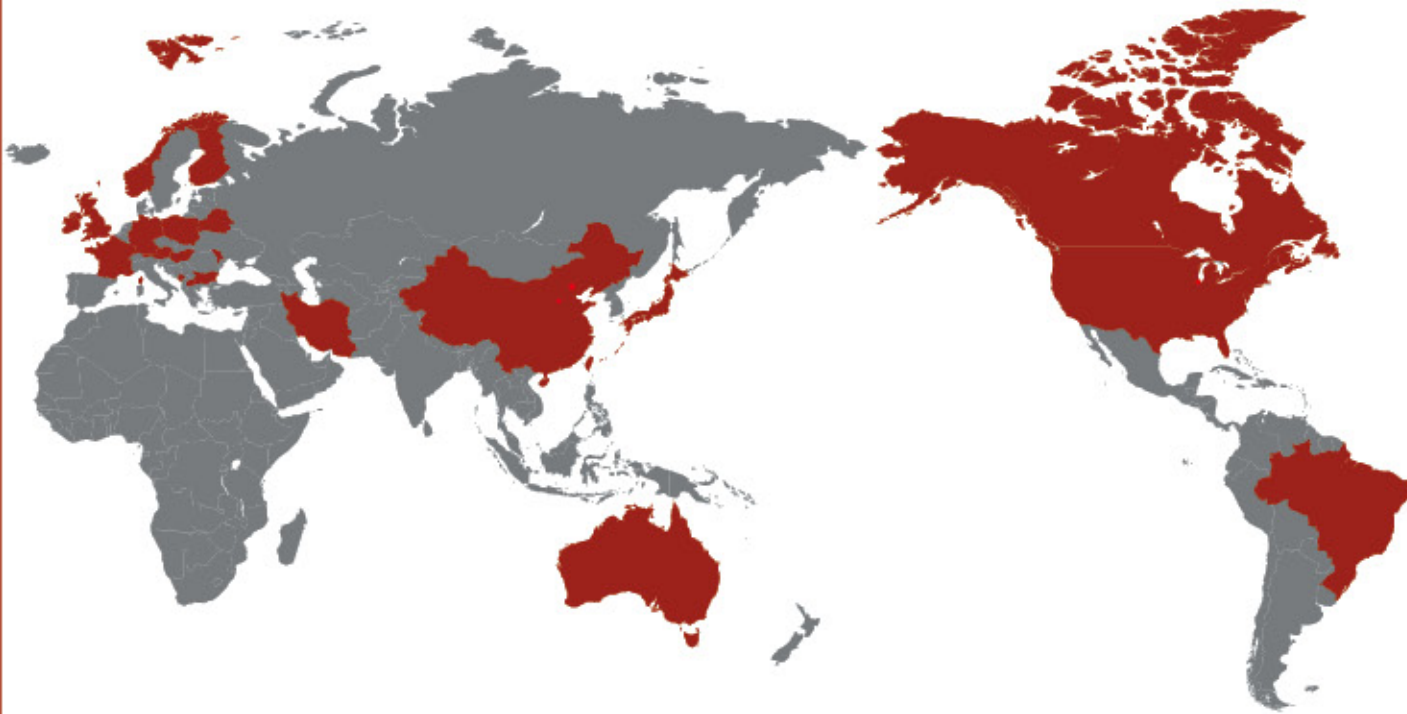
# **ARES-LOCK**



北京奥瑞斯锁业有限公司  
BEIJING ARES- LOCK INDUSTRY CO.,LTD  
Add:Xiji.Tongzhou.Beijing.China Zip Code:101108  
Tel:0086 10 69507158 69504608  
Fax:0086 10 69507129  
Http://www.areslock.com.cn  
E-Mail:areslock@yahoo.com.cn



**PROFESSIONAL**  
LOCK MANUFACTURE ARES- LOCK INDUSTRY CO.,LTD



# ABOUT ARES

Beijing Ares-lock Industry Co.,Ltd mainly engages in R&D and manufacture of Architecture Hardware.As a leading manufacturer of lock bodies,we have lots of specialised and advanced testing machines in this field,which enable us conducting every stage from function research to frame detection to produced goods tested by our company.

We pay close attention to every details,we test all of our products to ensure lasting quality and durability.You can be sure that our products have past extremely hard corrosion resistance with salt spray testing machine and 500,000 times cycle testing with our testing machines made according to DIN standards.And we inspect every component such as screw/pocket and label.To maintain the above,our motivated and responsible staff are working hard everyday.

Depending on solid strength of design and manufacture,advanced concept of management and superior quality of products, and now our products have been sold to Germany,UK,USA,Italy,Japan,Singapore and other countries.We are looking forward to cooperating with you by receiving your ODM&OEM orders.

## Standard lock



### Features

According to EN 12209 - Grade 3,DIN 18251-1  
For wooden or steel doors  
For single-leaf doors  
Optional for rebated or non-rebated doors  
Suitable for external fire and smoke doors  
Prepared for profile cylinders  
With key action  
Deadbolt 2-turns

### Technical data

Distance	72mm
Bracket	40/45/50/55/60/65/70/80/100mm

### Forend

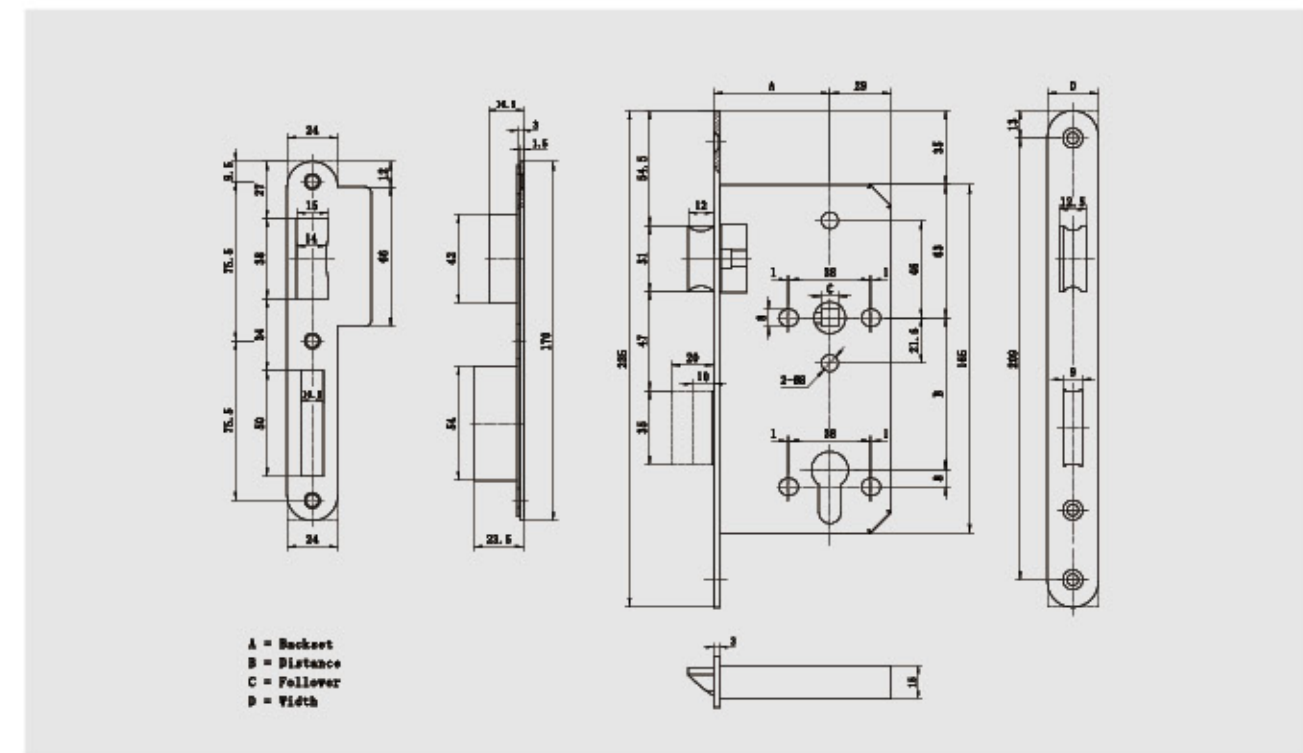
Type	square head,round head
Thickness	3mm
Width	20mm,22mm,23mm,24mm

### Forend finish

Stainless steel	satin stainless steel polished stainless steel
Vacuum metallizing	satin brass PVD AB AC

### Accessories

Striking plate  
Pocket  
Fixing screws



**Latch Bolt Lock**

**A72ZL**



**Features**

According to EN 12209 - Grade 3, DIN 18251-1  
For wooden or steel doors  
For single-leaf doors  
Optional for rebated or non-rebated doors  
Suitable for external fire and smoke doors  
Latch bolt locks

**Technical data**

Follower	7mm,8mm,9mm
Distance	72mm
Backset	40/45/50/55/60/65/70/80/100mm

**Forend**

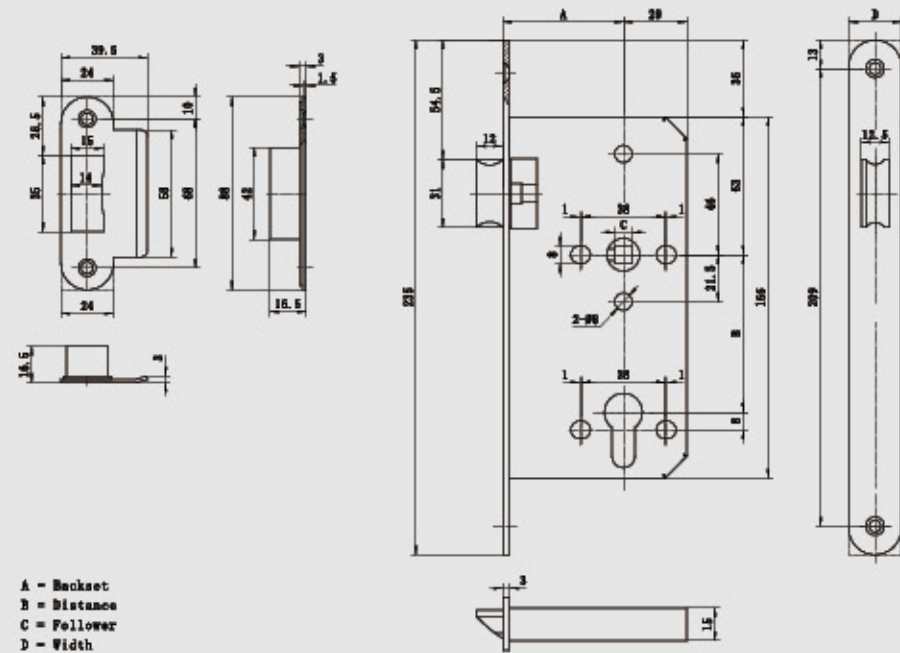
Type	square head,round head
Thickness	3mm
Width	20mm,22mm,23mm,24mm

**Forend finish**

Stainless steel	satin stainless steel polished stainless steel
Vacuum metallizing	satin brass PVD AB AC

**Accessories**

Striking plate  
Pocket  
Fixing screws



**Dead Bolt Lock**

**A72ZD**



**Features**

According to EN 12209 - Grade 3, DIN 18251-1  
For wooden or steel doors  
For single-leaf doors  
Optional for rebated or non-rebated doors  
Suitable for external fire and smoke doors  
Prepared for profile cylinders  
With key action  
Deadbolt 2-turns

**Technical data**

Distance	72mm
Backset	40/45/50/55/60/65/70/80/100mm

**Forend**

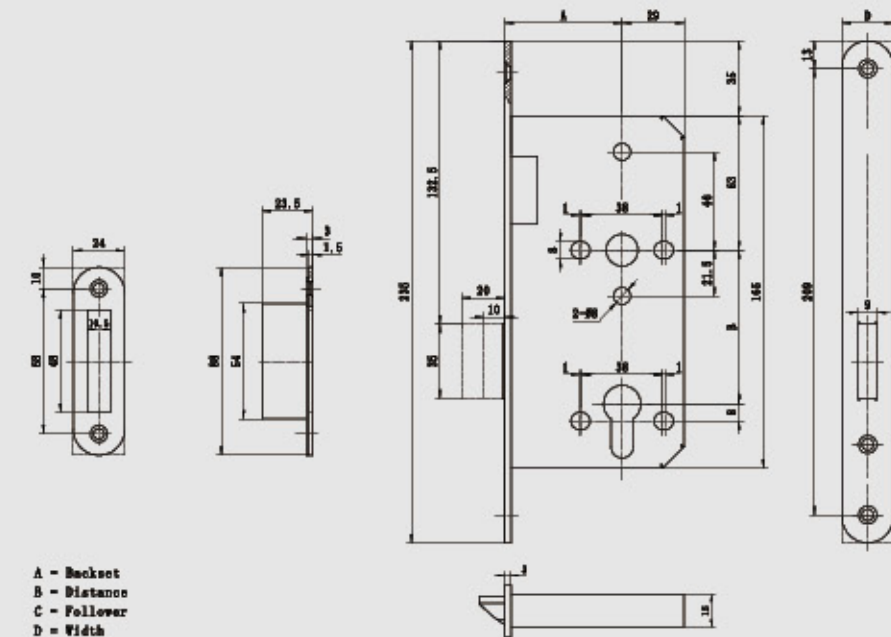
Type	square head,round head
Thickness	3mm
Width	20mm,22mm,23mm,24mm

**Forend finish**

Stainless steel	satin stainless steel polished stainless steel
Vacuum metallizing	satin brass PVD AB AC

**Accessories**

Striking plate  
Pocket  
Fixing screws



**Bathroom Lock**

**A78ZWC**



**Features**

According to EN 12209 - Grade 3, DIN 18251-1  
For wooden or steel doors  
For single-leaf doors  
Optional for rebated or non-rebated doors  
For bathroom doors  
Deadbolt 1-turn

**Technical data**

Follower	7mm,8mm,9mm
Deadbolt follower	5mm,8mm
Distance	78mm
Backset	55/60mm

**Forend**

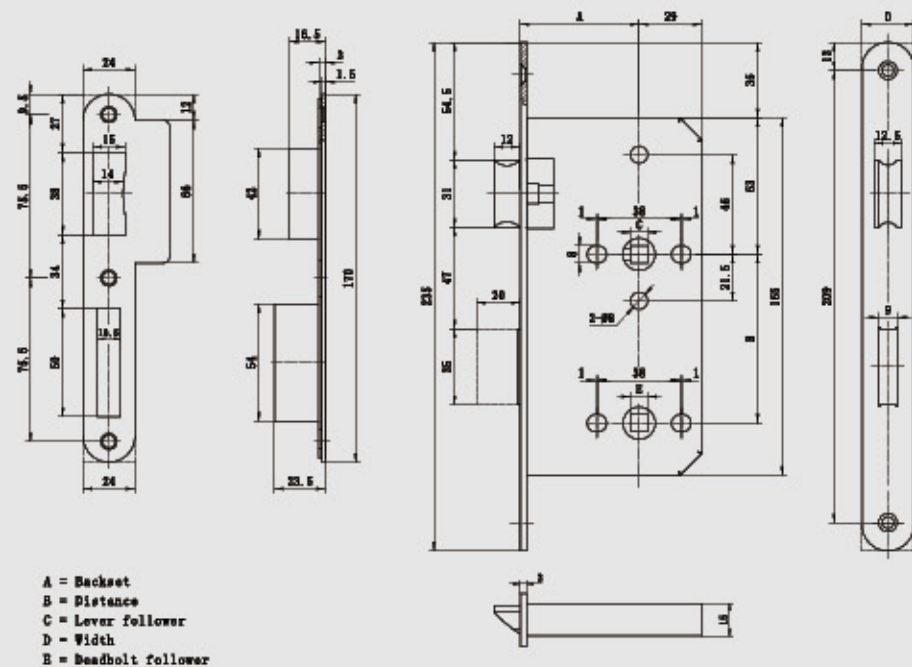
Type	square head,round head
Thickness	3mm
Width	20mm,22mm,23mm,24mm

**Forend finish**

Stainless steel	satin stainless steel polished stainless steel
Vacuum metallizing	satin brass PVD AB AC

**Accessories**

Striking plate  
Pocket  
Fixing screws



**A72ZS**

**Nightlatch Lock**



**Features**

According to EN 12209 - Grade 3, DIN 18251-1  
For wooden or steel doors  
For single-leaf doors  
Optional for rebated or non-rebated doors  
Suitable for doors where single action of escape is required

**Technical data**

Follower	7mm,8mm,9mm
Distance	72mm
Backset	40/45/50/55/60/65/70/80/100mm

**Forend**

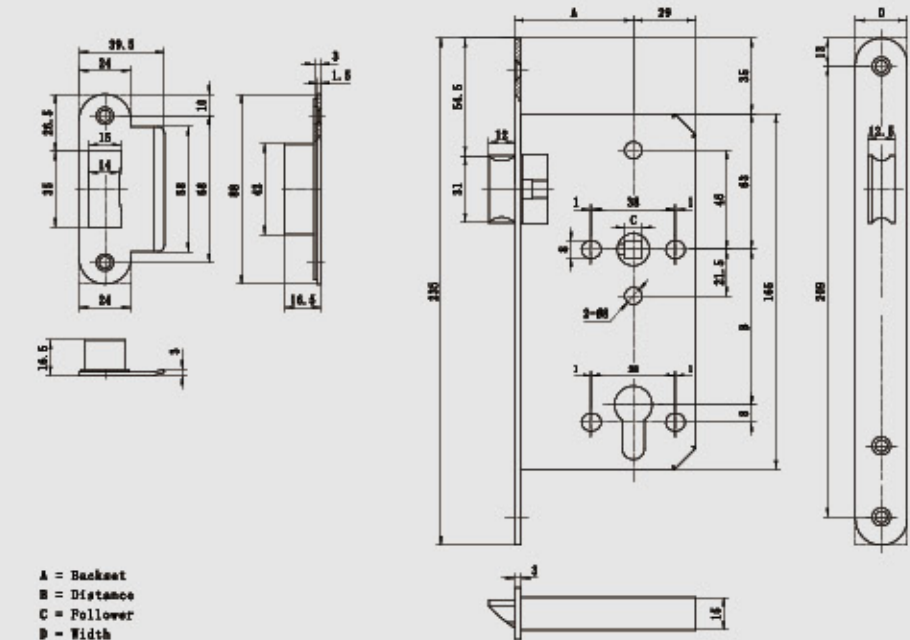
Type	square head,round head
Thickness	3mm
Width	20mm,22mm,23mm,24mm

**Forend finish**

Stainless steel	satin stainless steel polished stainless steel
Vacuum metallizing	satin brass PVD AB AC

**Accessories**

Striking plate  
Pocket  
Fixing screws



## Nightlatch Lock

# A72ZN



### Features

According to EN 12209 - Grade 3, DIN 18251-1  
For wooden or steel doors  
For single-leaf doors  
Optional for rebated or non-rebated doors  
Suitable for doors where single action of escape is required  
The door will be re-locked automatically when its closed and the security will be ensured

### Technical data

Follower	7mm,8mm,9mm
Distance	72mm
Backset	55/60/70/80mm

### Forend

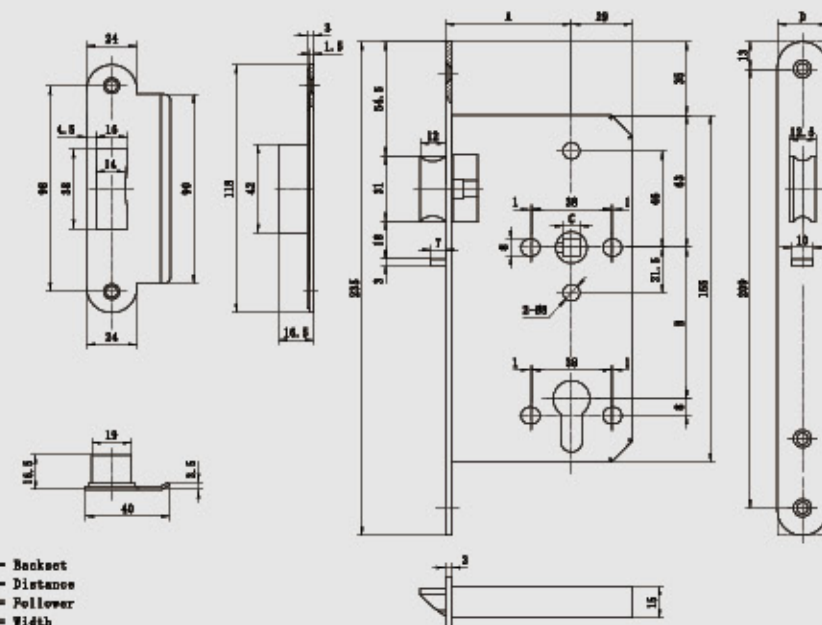
Type	square head, round head
Thickness	3mm
Width	20mm,22mm,23mm,24mm

### Forend finish

Stainless steel	satin stainless steel polished stainless steel
Vacuum metallizing	satin brass PVD AB AC

### Accessories

Striking plate  
Pocket  
Fixing screws



## Night Deadbolt Lock

# 72ZND



### Features

According to EN12209-Grade 3, DIN 18251-1  
For wooden or steel doors  
For single-leaf doors  
Optional for rebated or non-rebated doors  
Suitable for external fire and smoke doors  
Night lock with deadbolt  
Prepared for profile cylinders  
With key action  
Deadbolt 2-turns

### Technical data

Follower	7mm,8mm,9mm
Distance	72mm
Backset	55/60/70/80mm

### Forend

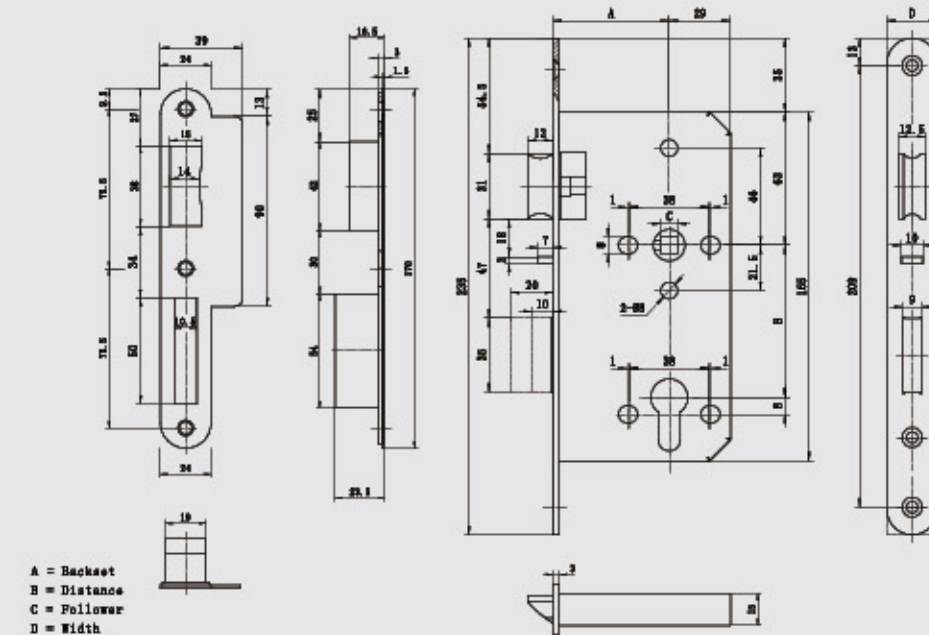
Type	square head, round head
Thickness	3mm
Width	20mm,22mm,23mm,24mm

### Forend finish

Stainless steel	satin stainless steel polished stainless steel
Vacuum metallizing	satin brass PVD AB AC

### Accessories

Striking plate  
Pocket  
Fixing screws



Standard BB Lock

# A72ZB



**Features**

According to EN 12209 - Grade 3, DIN 18251-1  
For wooden or steel doors  
For single-leaf doors  
Keys lock body  
With key action  
Deadbolt 2-turns

**Technical data**

Followers	7mm,8mm,9mm
Distance	72mm
Backset	40/45/50/55/60/65/70/80/100mm

**Forend**

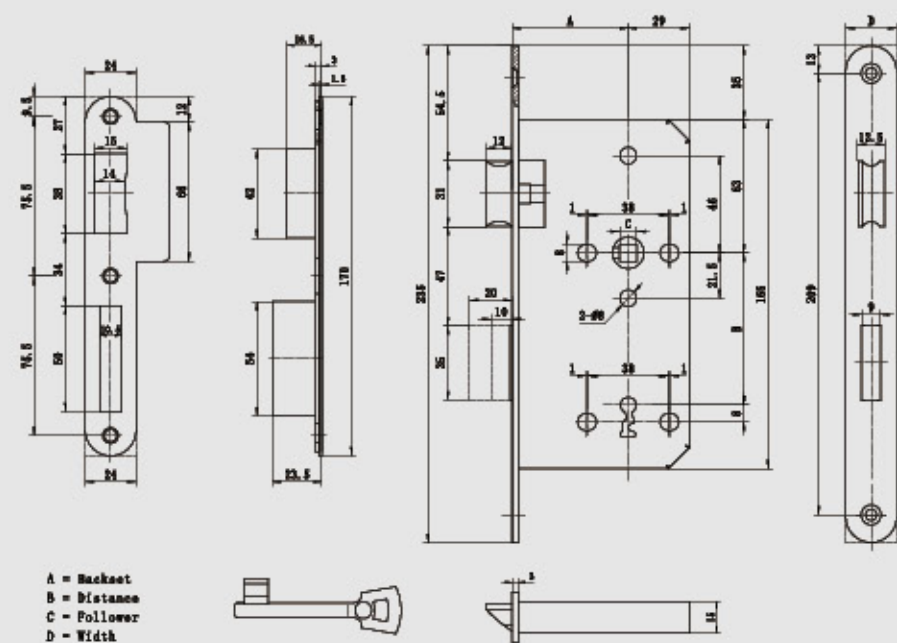
Type	square head,round head
Thickness	3mm
Width	20mm,22mm,23mm,24mm

**Forend finish**

Stainless steel	satin stainless steel polished stainless steel
Vacuum metallizing	satin brass PVD AB AC

**Accessories**

Striking plate  
Pocket  
Fixing screws



# A72ZFR

Standard Lock



**Features**

According to EN 12209 - Grade 3, DIN 18251-1  
For wooden or steel doors  
For single-leaf doors  
Optional for rebated or non-rebated doors  
Standard lock, Four slots latch lock body  
Prepared for profile cylinders  
With key action  
Deadbolt 2-turns

**Technical data**

Followers	7mm,8mm,9mm
Distance	72mm
Backset	40/45/50/55/60/65/70/80/100mm

**Forend**

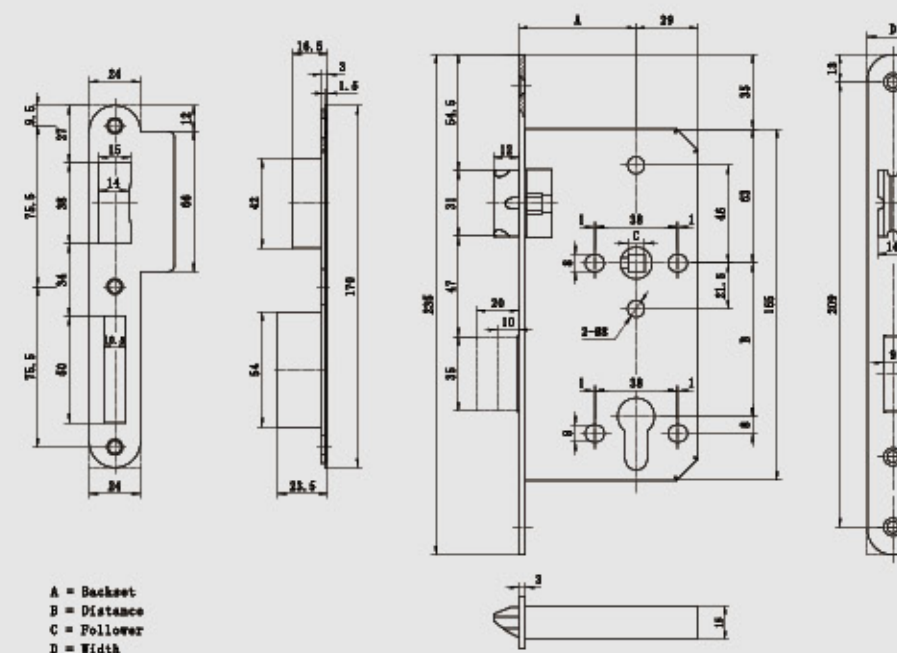
Type	square head,round head
Width	20mm,22mm,23mm,24mm

**Forend finish**

Stainless steel	satin stainless steel polished stainless steel
Vacuum metallizing	satin brass PVD AB AC

**Accessories**

Striking plate  
Pocket  
Fixing screws





*Mortise Magnetic lock*

# A72Z-MS



**Features**

According to EN 12209 - Grade 3, DIN 18251-1  
For single-leaf doors  
For wooden doors  
Prepared for profile cylinders  
Magnetic latch, no friction noise  
Dead bolt 2-turn

**Technical data**

Follower	7mm, 8mm, 9mm
Distance	72mm
Bracket	55mm

**Forend**

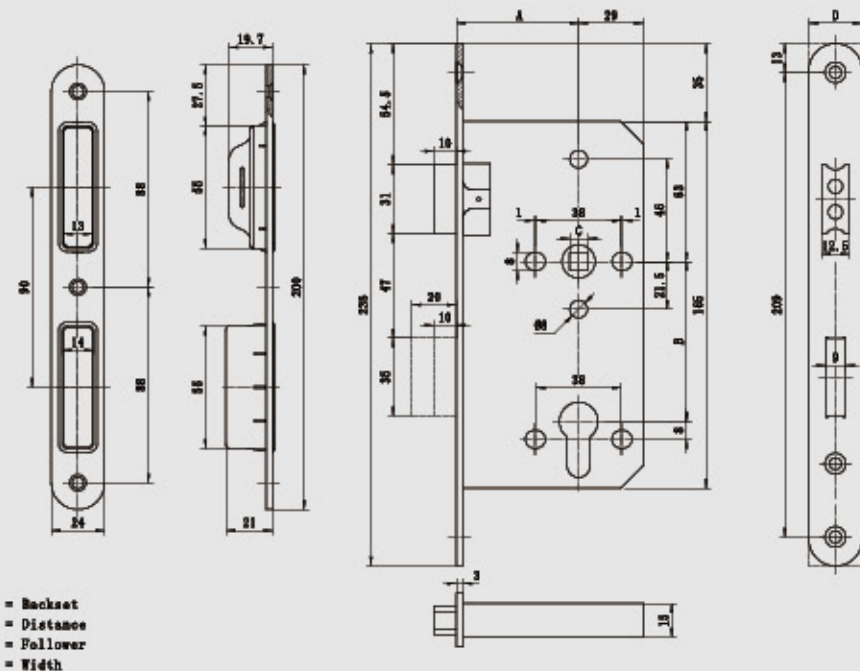
Type	square head, Round head
Thickness	3mm
Width	20mm, 22mm, 23mm, 24mm

**Forend finish**

Stainless steel	satin stainless steel polished stainless steel
Vacuum metallizing	satin brass PVD AB AC

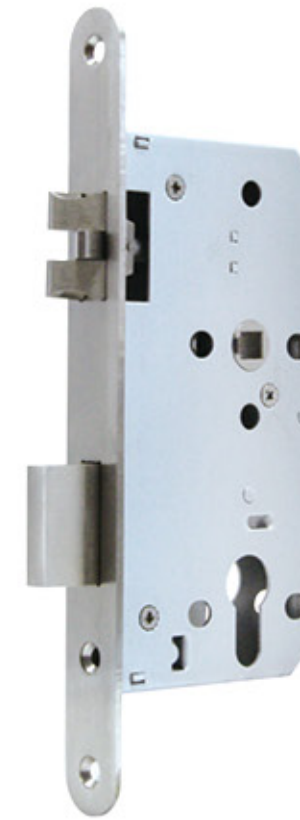
**Accessories**

Striking plate  
Pocket  
Fixing screws



# A72Z-L2

*Mortise latch Lock*



**Features**

According to EN 12209 - Grade 3, DIN 18251-1  
For wooden or steel doors  
For single-leaf doors  
Trigeminal anti friction latch  
Prepared for profile cylinders  
With key action  
Deadbolt 2-turns

**Technical data**

Follower	7mm, 8mm, 9mm
Distance	72mm
Bracket	40/45/50/55/60/65/70/80/100mm

**Forend**

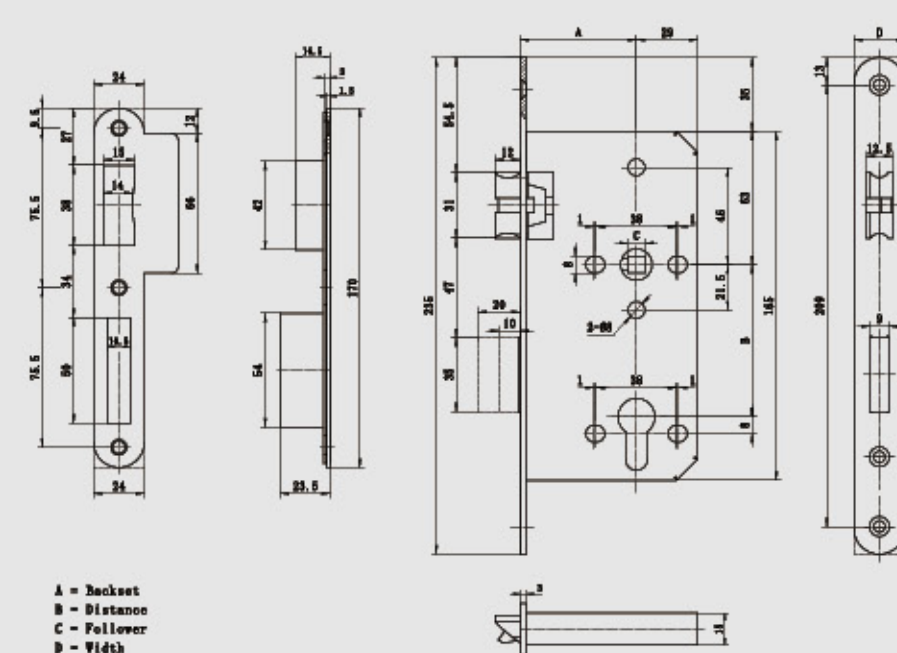
Type	square head, round head
Thickness	3mm
Width	20mm, 22mm, 23mm, 24mm

**Forend finish**

Stainless steel	satin stainless steel polished stainless steel
Vacuum metallizing	satin brass PVD AB AC

**Accessories**

Striking plate  
Pocket  
Fixing screws





**Standard Lock**

**A72V**



**Features**

- According to EN 12209 - Grade 3, DIN 18251-1
- For wooden or steel doors
- For single-leaf doors
- Optional for rebated or non-rebated doors
- Suitable for external fire and smoke doors
- Latch bolt within reversing
- Prepared for profile cylinders
- With key action
- Deadbolt 2-turns

**Technical data**

Follower	7mm,8mm,9mm
Distance	72mm
Backset	55/60mm

**Forend**

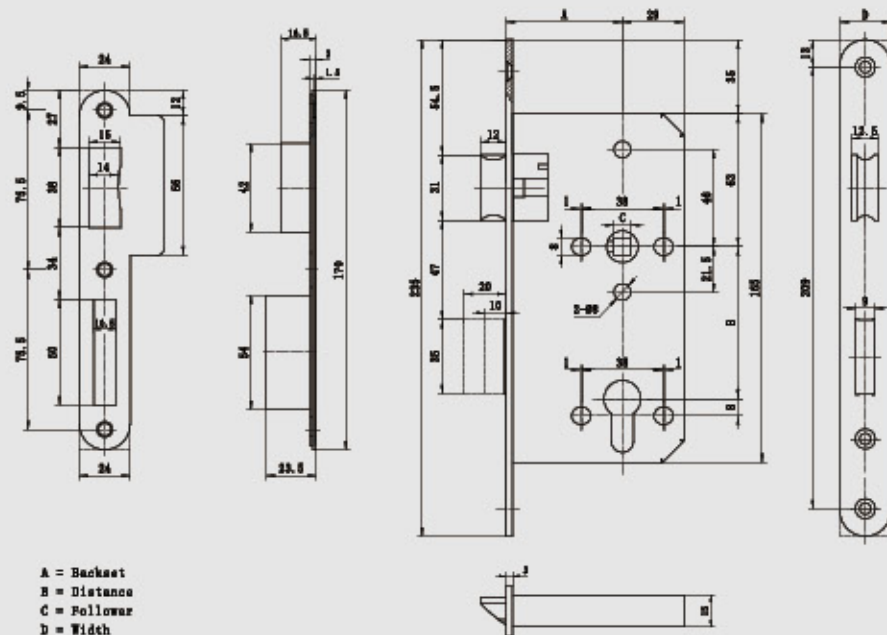
Type	square head, round head
Thickness	3mm
Width	20mm,22mm,23mm,24mm

**Forend finish**

Stainless steel	satin stainless steel polished stainless steel
Vacuum metallizing	satin brass PVD AB AC

**Accessories**

- Striking plate
- Pocket
- Fixing screws



**Double Forend Lock**

**A72Z-SM**



**Features**

- According to EN 12209 - Grade 3, DIN 18251-1
- For wooden or steel doors
- For single-leaf doors
- Double forend
- Prepared for profile cylinders
- With key action
- Deadbolt 2-turns

**Technical data**

Follower	7mm,8mm,9mm
Distance	72mm
Backset	40/45/50/55/60/65/70/80/100mm

**Forend**

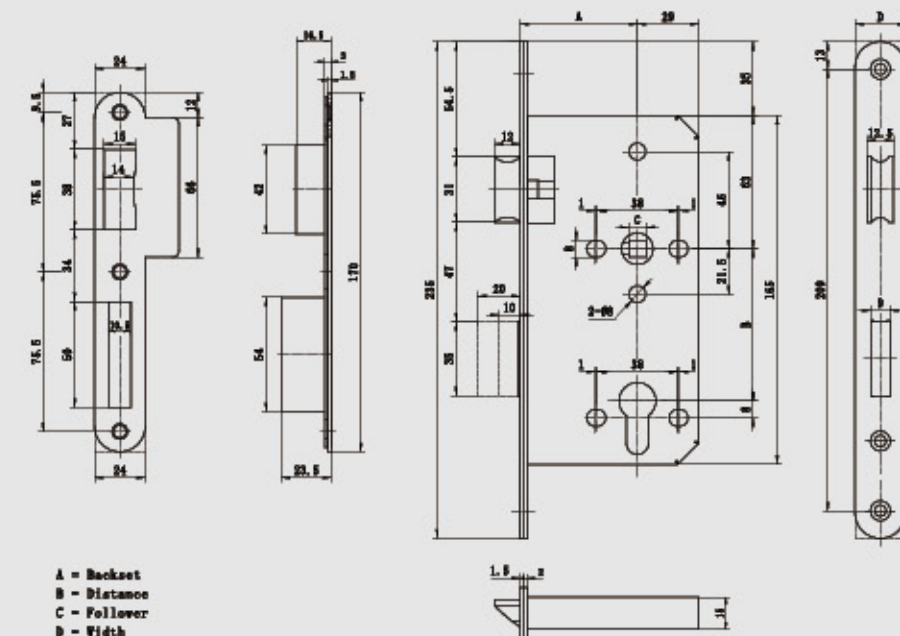
Type	square head, round head
Thickness	1.5mm+2mm
Width	20mm,24mm

**Forend finish**

Stainless steel	satin stainless steel polished stainless steel
Vacuum metallizing	satin brass PVD AB AC

**Accessories**

- Striking plate
- Pocket
- Fixing screws



## Nightlatch Lock

# 72ZN-L2



### Features

According to EN 12209 - Grade 3, DIN 18251-1  
For wooden or steel doors  
For single-leaf doors  
Optional for rebated or non-rebated doors  
Night lock with trigeminal latch  
Prepared for profile cylinders

### Technical data

Follower	7mm,8mm,9mm
Distance	72mm
Backset	55/60/70/80mm

### Forend

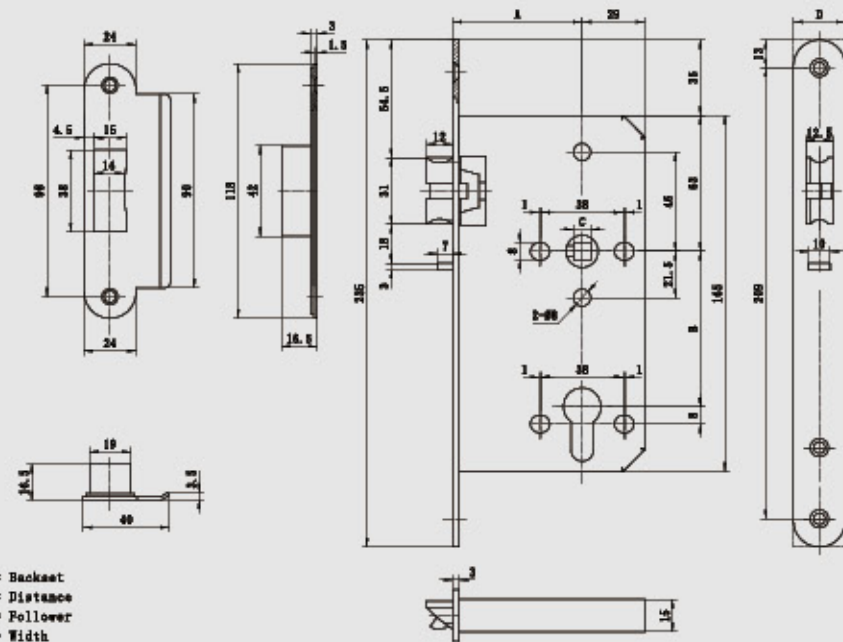
Type	square head, round head
Thickness	3mm
Width	20mm,22mm,23mm,24mm

### Forend finish

Stainless steel	satin stainless steel polished stainless steel
Vacuum metallizing	satin brass PVD AB AC

### Accessories

Striking plate  
Pocket  
Fixing screws



## Bearing Lock

# A72-Y



### Features

According to EN 12209 - Grade 2, DIN 18251-1  
For wooden or steel doors  
For single-leaf doors  
Optional for rebated or non-rebated doors  
Bearing lock body, there is a bearing in follower  
Follower, latch and dead bolt are zinc alloy material  
Lock case is Passivation plate (coating)  
Prepared for profile cylinders  
With key action  
Deadbolt 2-turns

### Technical data

Follower	8mm
Distance	72mm
Backset	60mm

### Forend

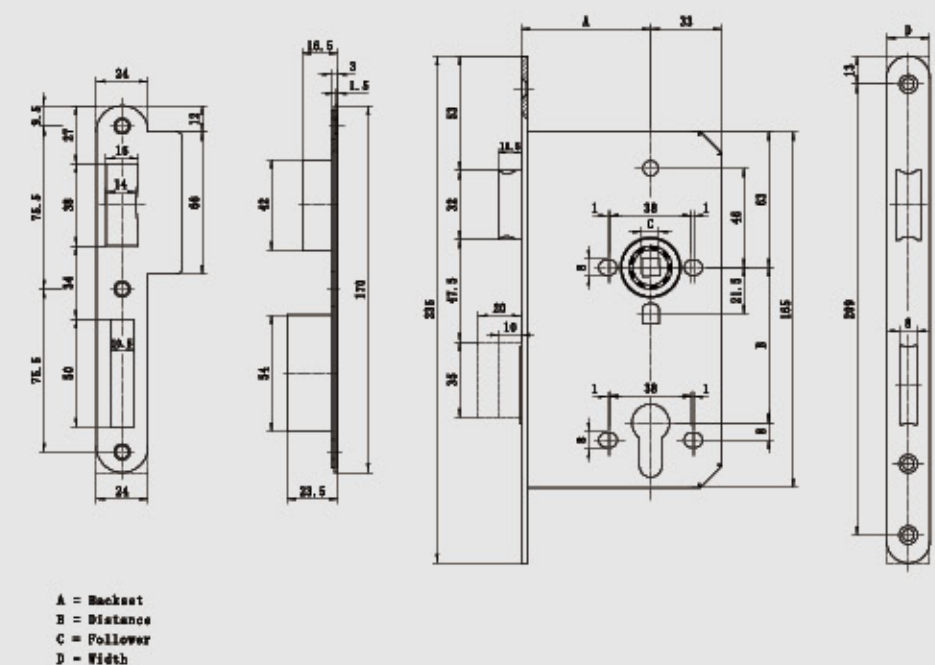
Type	square head, round head
Thickness	3mm
Width	20mm,22mm,23mm,24mm

### Forend finish

Stainless steel	satin stainless steel polished stainless steel
Vacuum metallizing	satin brass PVD AB AC

### Accessories

Striking plate  
Pocket  
Fixing screws





*Standard BB Lock*

# A72KB



**Features**

According to DIN 18251-1  
For wooden or steel doors  
For single-leaf doors  
Optional for rebated or non-rebated doors  
Prepared for BBkey  
With key action  
Deadbolt 2-turns

**Technical data**

Follower	7mm,8mm,9mm
Distance	72mm
Backset	40/45/55/60mm

**Forend**

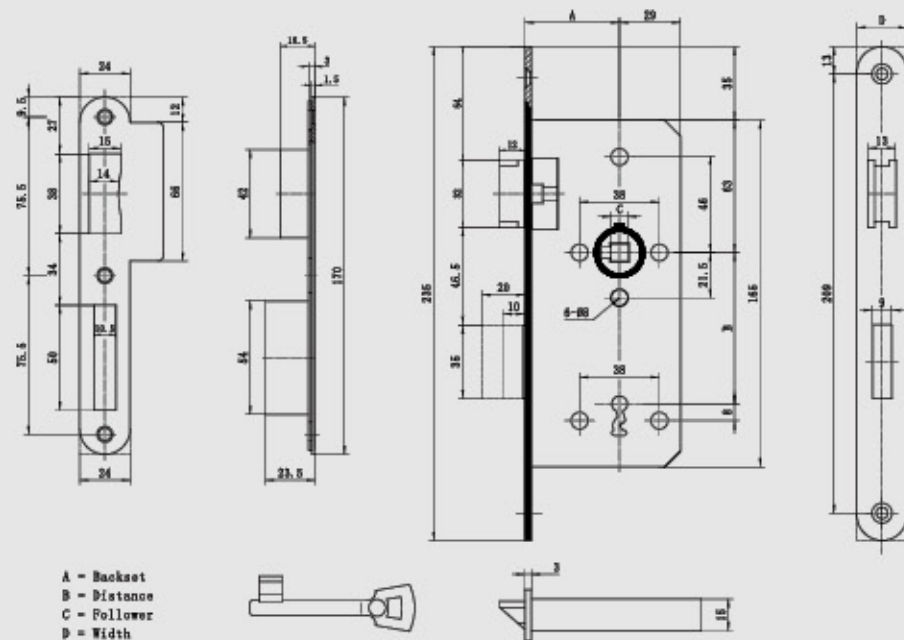
Type	round head,square head
Thickness	3mm
Width	20mm,22mm,23mm,24mm

**Forend finish**

Stainless steel	satin stainless steel polished stainless steel
Vacuum metallizing	satin brass PVD AB AC

**Accessories**

Striking plate  
Pocket  
Fixing screws



# A72TQ

*Rebated door lock*



**Features**

According to EN12209-Grade 3,DIN 18251-1  
For wooden or steel doors  
For single-leaf doors  
For rebated doors  
Suitable for external fire and smoke doors  
Prepared for profile cylinders  
With key action  
Deadbolt 2-turns

**Technical data**

Follower	8mm,9mm
Distance	55mm,60mm,70mm,80mm,100mm
Backset	55mm

**Forend**

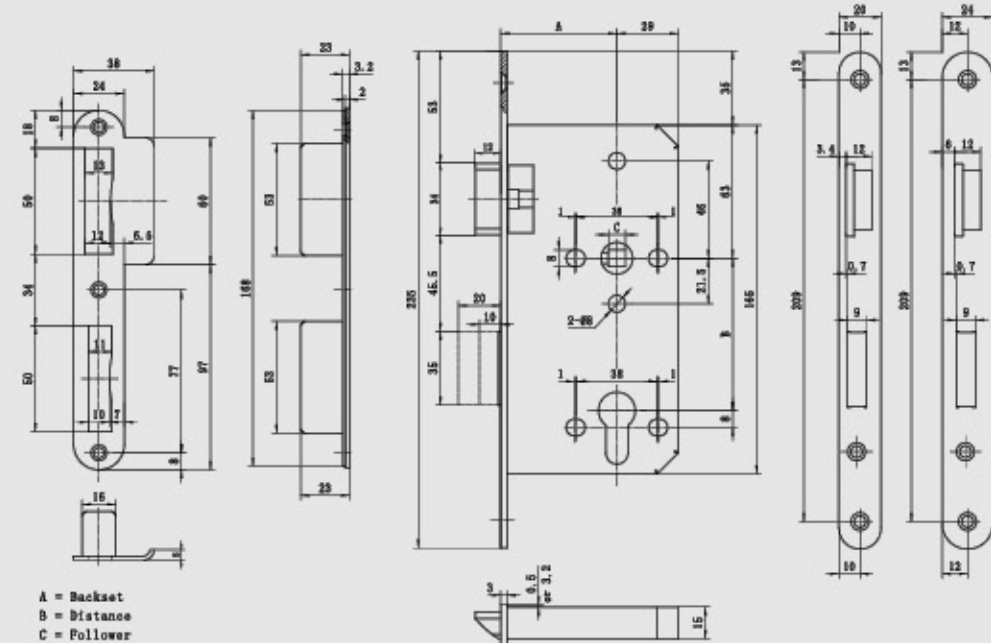
Type	round head,square head
Thickness	3mm
Width	20mm,24mm

**Forend finish**

Stainless steel	satin stainless steel polished stainless steel
Vacuum metallizing	satin brass PVD AB AC

**Accessories**

Striking plate  
Pocket  
Fixing screws



*Classroom Lock*

# A72ZCR



**Features**

According to EN 12209 - Grade 3, DIN 18251-1  
For wooden or steel doors  
For single-leaf doors  
Optional for rebated or non-rebated doors  
Suitable for doors where single action of escape is required

**Technical data**

Follower	8mm
Distance	72mm
Bracket	55/60/80mm

**Forend**

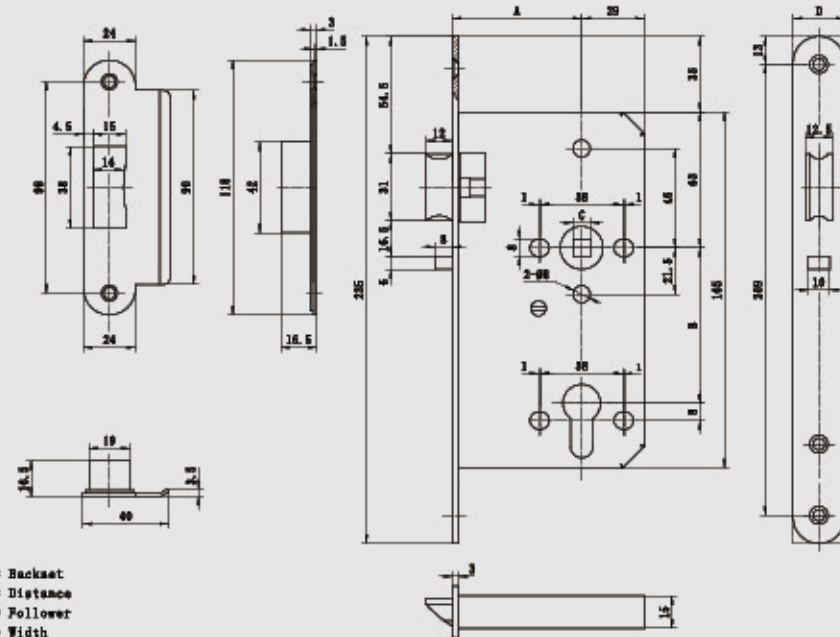
Type	square head, round head
Thickness	3mm
Width	20mm, 22mm, 23mm, 24mm

**Forend finish**

Stainless steel	satin stainless steel polished stainless steel
Vacuum metallizing	satin brass PVD AB A

**Accessories**

Striking plate  
Pocket  
Fixing screws



A = Bracket  
B = Distance  
C = Follower  
D = Width

# A72ZE

*Escape function lock*



**Features**

According to EN12209-Grade 3, DIN 18251-1  
For wooden or steel doors  
For single-leaf doors  
Suitable for external fire and smoke doors  
Prepared for profile cylinders  
With key action  
Deadbolt 1-turn  
Functions:  
The lever/knob outside is at natural state  
When unlocked the door can be operated from outside by key.  
When unlocked the door can be operated from inside without key, but by pushing touch bar/handle, the Escape side is in accord with opening direction

**Technical data**

Follower	8mm
Distance	72mm
Bracket	55/60mm

**Forend**

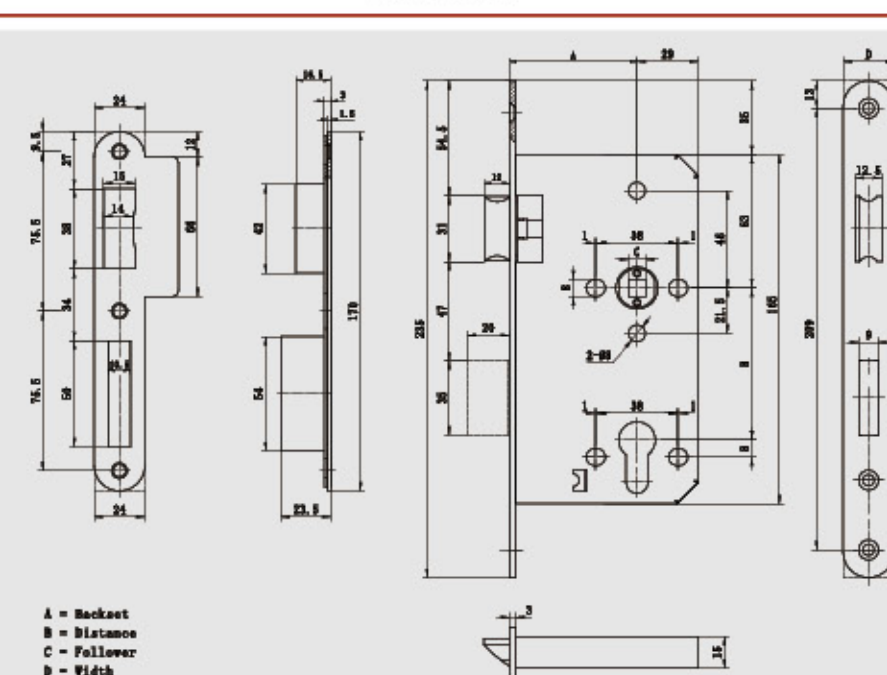
Type	round head, square head
Thickness	3mm
Width	20mm, 22mm, 23mm, 24mm

**Forend finish**

Stainless steel	satin stainless steel polished stainless steel
Vacuum metallizing	satin brass PVD AB AC

**Accessories**

Striking plate  
Pocket  
Fixing screws



A = Bracket  
B = Distance  
C = Follower  
D = Width

## Escape Function Lock

# A72HE1-A2



### Features

According to EN 12209 - Grade 3, DIN 18251-1  
For wooden or steel doors  
For single-leaf doors  
Prepared for profile cylinders  
Deadbolt 1-turn  
Escape lock, divided into left and right

### Technical data

Follower	8mm
Distance	72mm
Bracket	55/60mm

### Forend

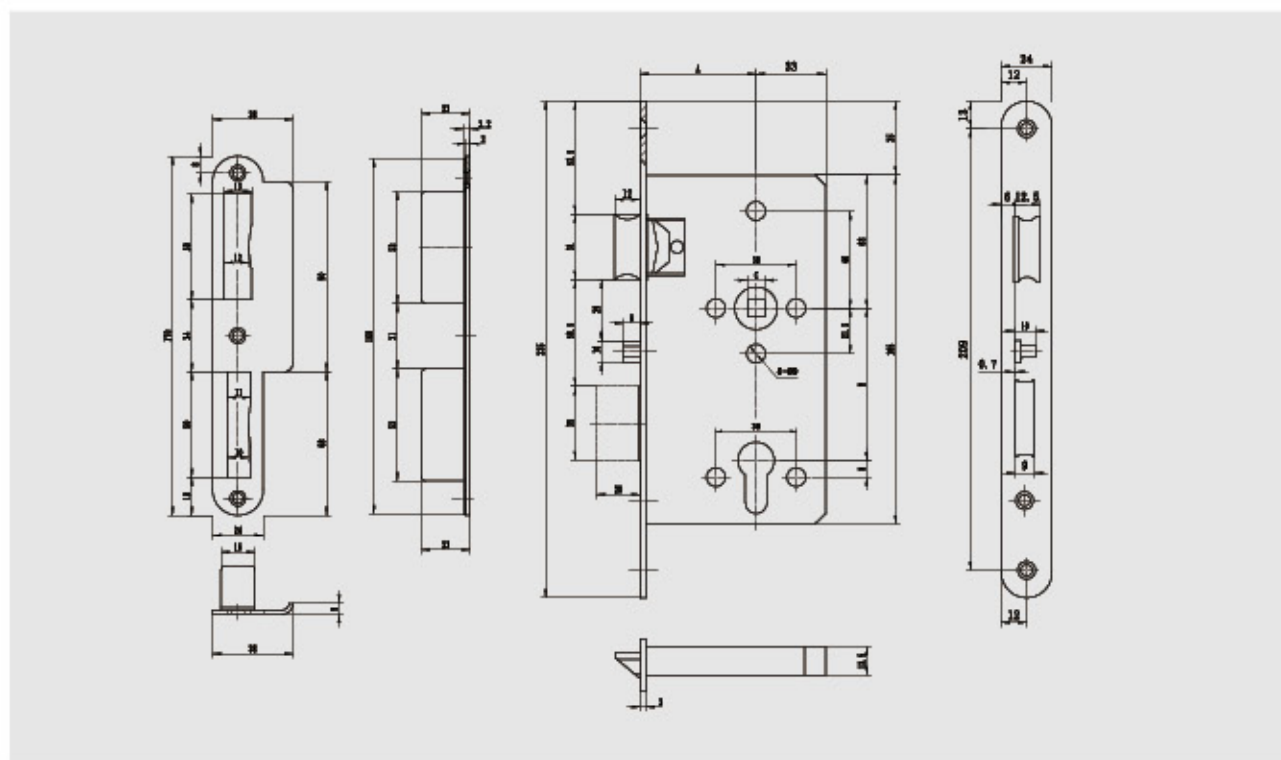
Type	square head, round head
Thickness	3mm
Width	20mm, 24mm

### Forend finish

Stainless steel	satin stainless steel polished stainless steel
Vacuum metallizing	satin brass PVD AB AC

### Accessories

Striking plate  
Pocket  
Fixing screws



## Mortise X-Ray Lock

# A72H-D



### Features

According to EN 12209 ,DIN 18251-1  
For wooden or steel doors  
For single-leaf doors  
Prevention of X ray penetration  
Special for ultrasonic test room doors  
Double Handle, double cylinder  
With key action  
Deadbolt 2-turns

### Technical data

Follower	8mm
Distance	72mm
Bracket	40-80mm

### Forend

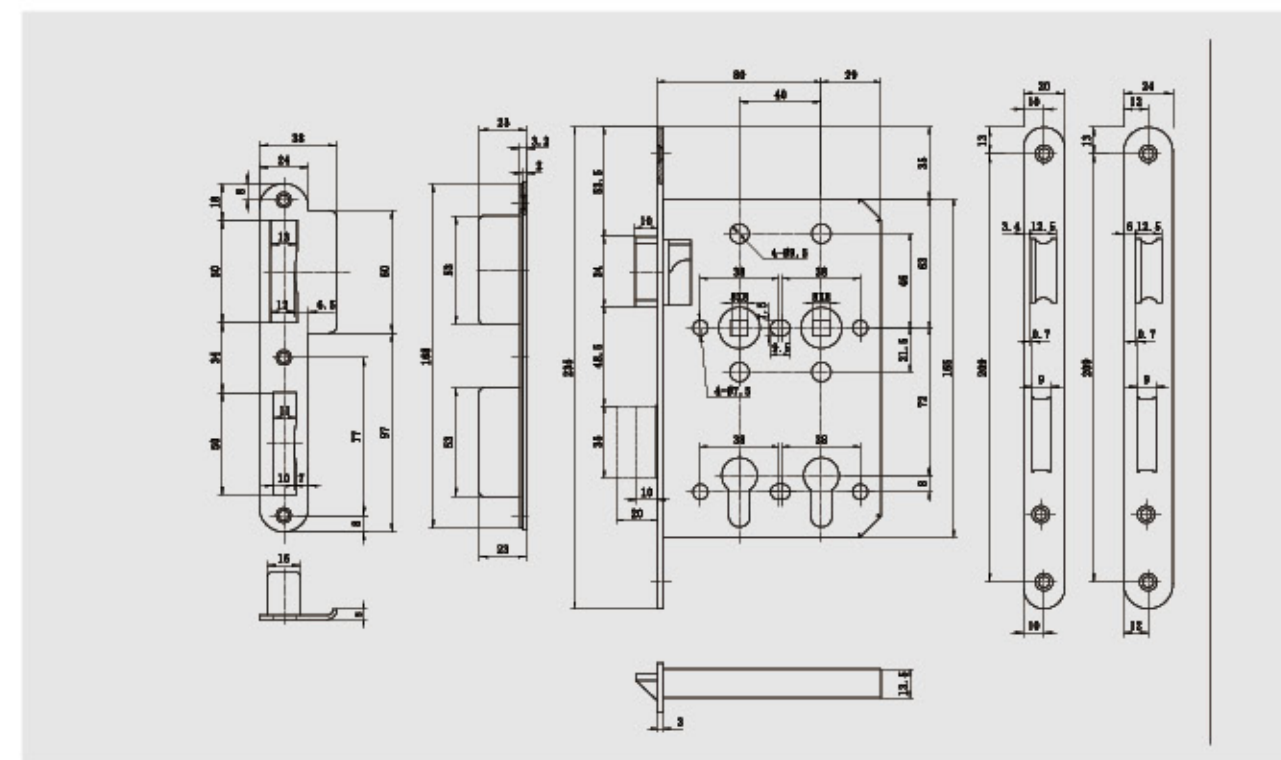
Type	square head, round head
Thickness	3mm
Width	20mm, 24mm

### Forend finish

Stainless steel	satin stainless steel polished stainless steel
Vacuum metallizing	satin brass PVD AB AC

### Accessories

Striking plate  
Pocket  
Fixing screws





Standard lock

# A85ZT



**Features**

According to EN12209-Grade 3  
For wooden or steel doors  
For single-leaf doors  
Suitable for external fire and smoke doors  
Prepared for profile cylinders  
With key action  
Deadbolt 2-turns

**Technical data**

Follower	7mm,8mm,9mm
Distance	85mm
Bracket	45/50/60mm

**Forend**

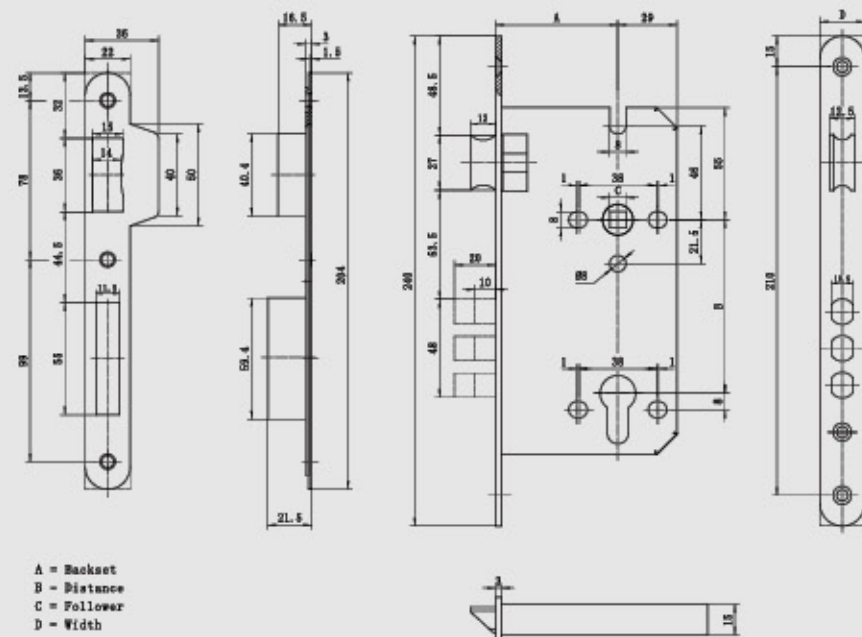
Type	round head,square head
Thickness	3mm
Width	22m,24mm

**Forend finish**

Stainless steel	satin stainless steel polished stainless steel
Vacuum metallizing	satin brass PVD AB AC

**Accessories**

Striking plate  
Pocket  
Fixing screws



# A85AT

Standard lock



**Features**

For wooden or steel doors  
For single-leaf doors  
Suitable for external fire and smoke doors  
Prepared for profile cylinders  
With key action  
Deadbolt 2-turns

**Technical data**

Follower	8mm
Distance	85mm
Bracket	60mm

**Forend**

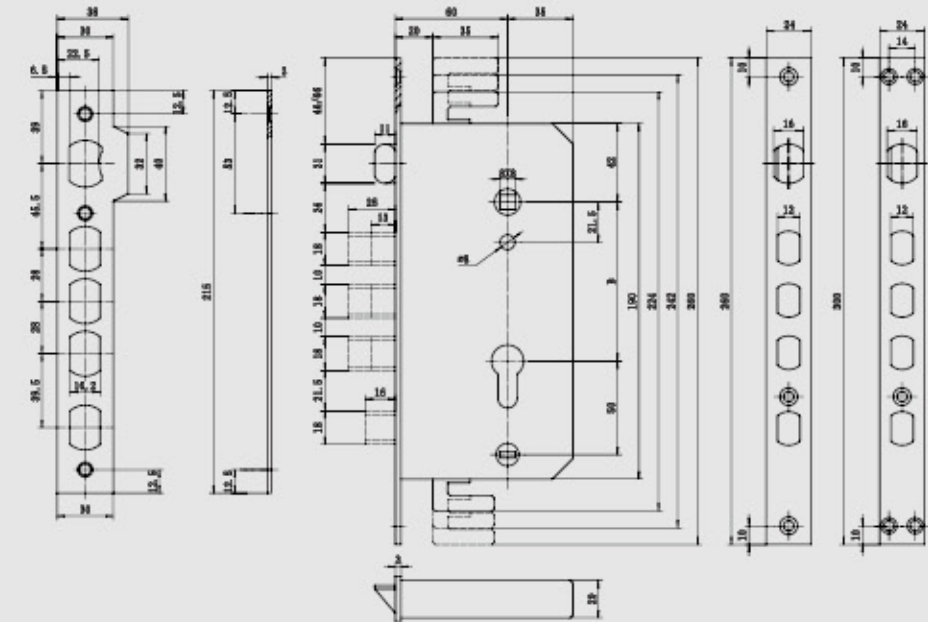
Type	square head
Thickness	3mm
Width	24mm
Length	260mm(steel doors),300mm(wooden doors)

**Forend finish**

Stainless steel	satin stainless steel polished stainless steel
Vacuum metallizing	satin brass PVD AB AC

**Accessories**

Striking plate  
Pocket  
Fixing screws





Roller Lock

# A72ZP



**Features**

According to EN12209-Grade 3, DIN 18251-1  
For single-leaf doors  
Suitable for external fire and smoke doors  
Prepared for profile cylinders  
With key action  
Deadbolt 2-turns

**Technical data**

Distance	72mm
Backset	40/45/50/55/60/65/70/80/100mm

**Forend**

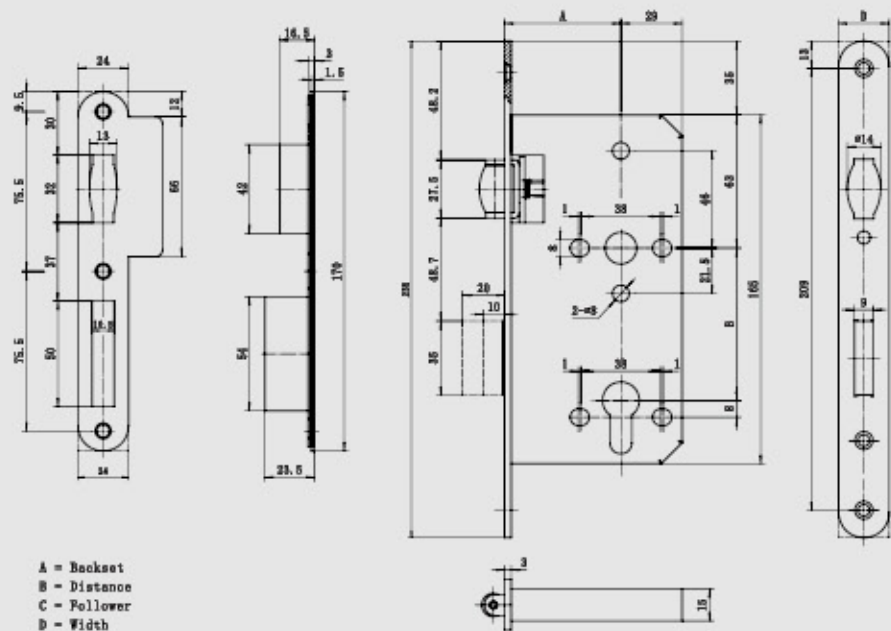
Type	round head, square head
Thickness	3mm
Width	20mm, 22mm, 23mm, 24mm

**Forend finish**

Stainless steel	satin stainless steel polished stainless steel
Vacuum metallizing	satin brass PVD AB AC

**Accessories**

Striking plate  
Pocket  
Fixing screws



# A85ZP

Roller Lock



**Features**

According to EN12209-Grade 3  
For sliding doors  
Suitable for external fire and smoke doors  
Prepared for profile cylinders  
With key action  
Deadbolt 2-turns

**Technical data**

Distance	85mm
Backset	40/45/50/60/80mm

**Forend**

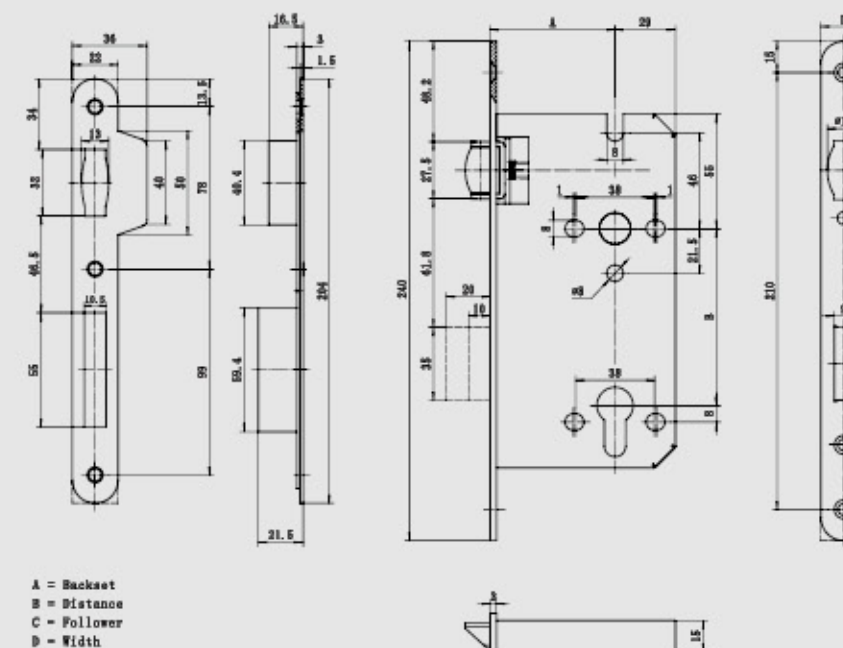
Type	round head, square head
Thickness	3mm
Width	20mm, 22mm, 23mm, 24mm

**Forend finish**

Stainless steel	satin stainless steel polished stainless steel
Vacuum metallizing	satin brass PVD AB AC

**Accessories**

Striking plate  
Pocket  
Fixing screws



Roller lock

# A55ZP



**Features**

According to EN12209-Grade 3  
For single-leaf doors  
Suitable for external fire and smoke doors  
Prepared for profile cylinders  
With key action  
1-turn

**Technical data**

Bucket	55mm
--------	------

**Forend**

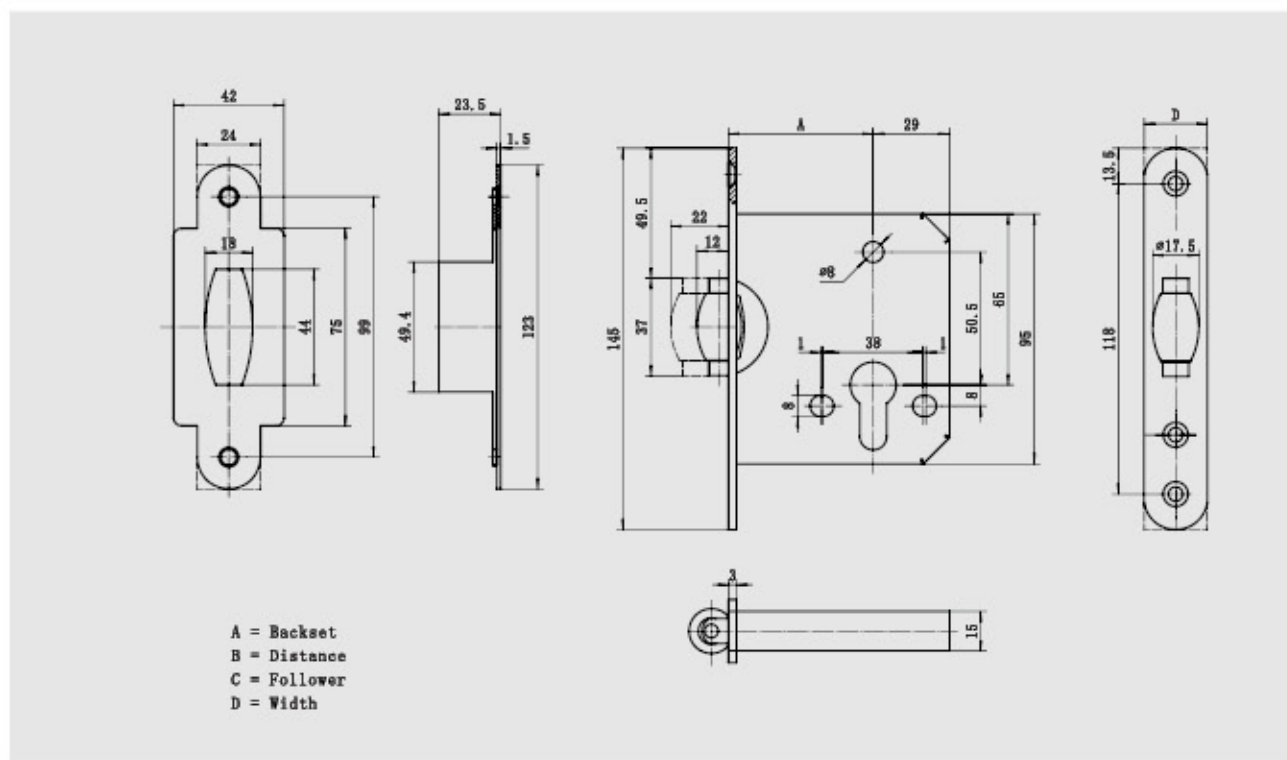
Type	round head, square head
Thickness	3mm
Width	24mm

**Forend finish**

Stainless steel	satin stainless steel polished stainless steel
Vacuum metallizing	satin brass PVD AB AC

**Accessories**

Striking plate  
Pocket  
Fixing screws



# A35ZP

Roller Lock



**Features**

According to EN12209-Grade 3  
For single-leaf doors  
Suitable for external fire and smoke doors  
Roller lock, roller cannot drive

**Forend**

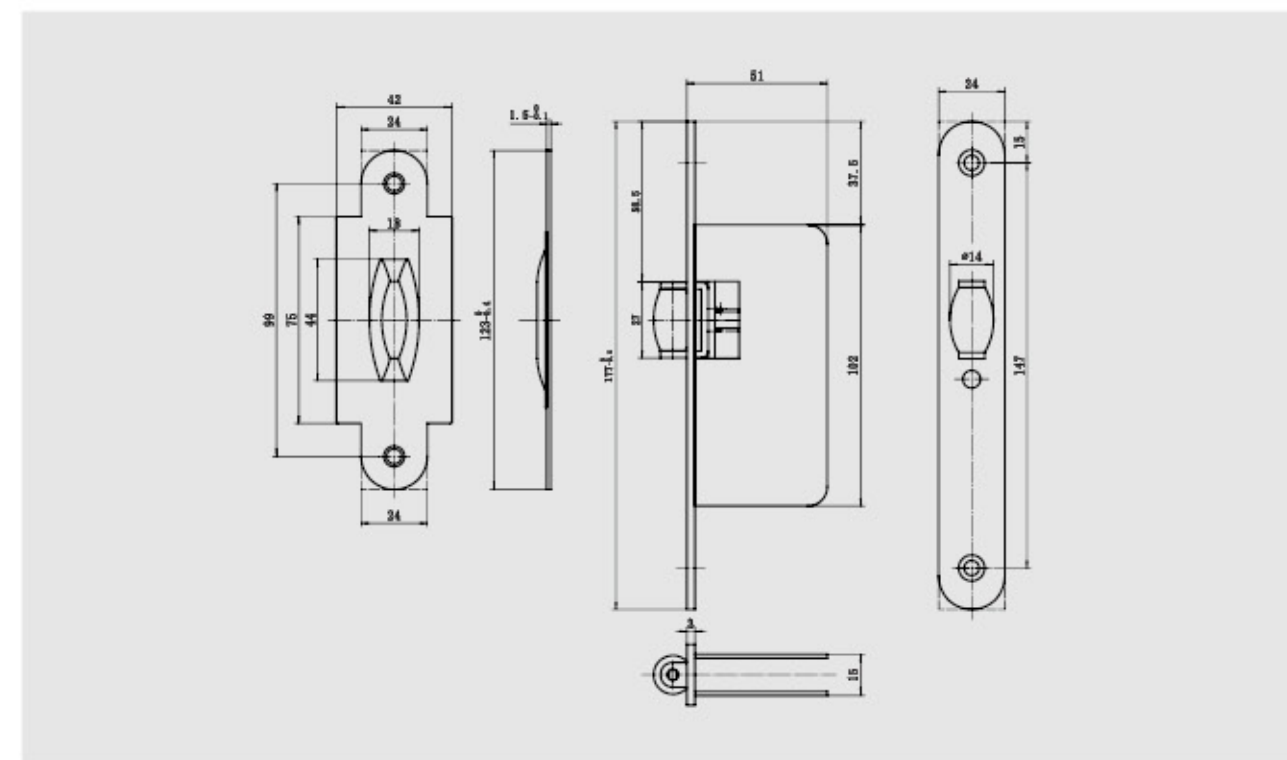
Type	round head, round head
Thickness	3mm
Width	24mm

**Forend finish**

Stainless steel	satin stainless steel polished stainless steel
Vacuum metallizing	satin brass PVD AB AC

**Accessories**

Striking plate  
Pocket  
Fixing screws





*Narrow lock*

# A85K



**Features**

According to EN12209-Grade 2,  
For aluminium doors  
For single-leaf doors  
For non-rebated doors  
Prepared for profile cylinders  
With key action  
Deadbolt 2-turns

**Technical data**

Follower	8mm
Distance	85mm
Backset	25mm

**Forend**

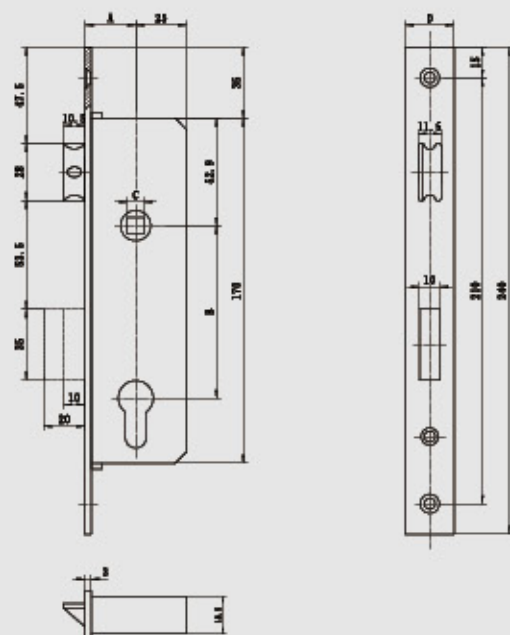
Type	square head
Thickness	3mm
Width	24mm

**Forend finish**

Stainless steel	satin stainless steel polished stainless steel
Vacuum metallizing	satin brass PVD AB AC

**Accessories**

Striking plate  
Pocket  
Fixing screws



A - Backset  
B - Distance  
C - Follower  
D - Width

# A85KP

*Narrow roller lock*



**Features**

According to EN12209-Grade 2  
For aluminium doors  
For single-leaf doors  
For non-rebated doors  
Prepared for profile cylinders  
With key action  
Deadbolt 2-turns

**Technical data**

Follower	8mm
Distance	85mm
Backset	25mm

**Forend**

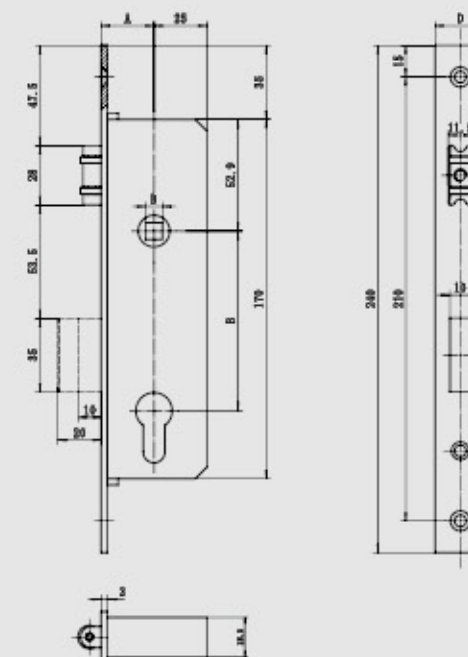
Type	square head
Thickness	3mm
Width	24mm

**Forend finish**

Stainless steel	satin stainless steel polished stainless steel
Vacuum metallizing	satin brass PVD AB AC

**Accessories**

Striking plate  
Pocket  
Fixing screws



A - Backset  
B - Distance  
C - Follower  
D - Width

**Latch Bolt Lock**

**A55ZL**



**Features**

According to EN 12209-Grade 3  
For wooden or steel doors  
For single-leaf doors  
Optional for rebated or non-rebated doors  
Suitable for external fire and smoke doors  
Latch bolt locks

**Technical data**

Follower	7mm,8mm,9mm
Backset	55mm

**Forend**

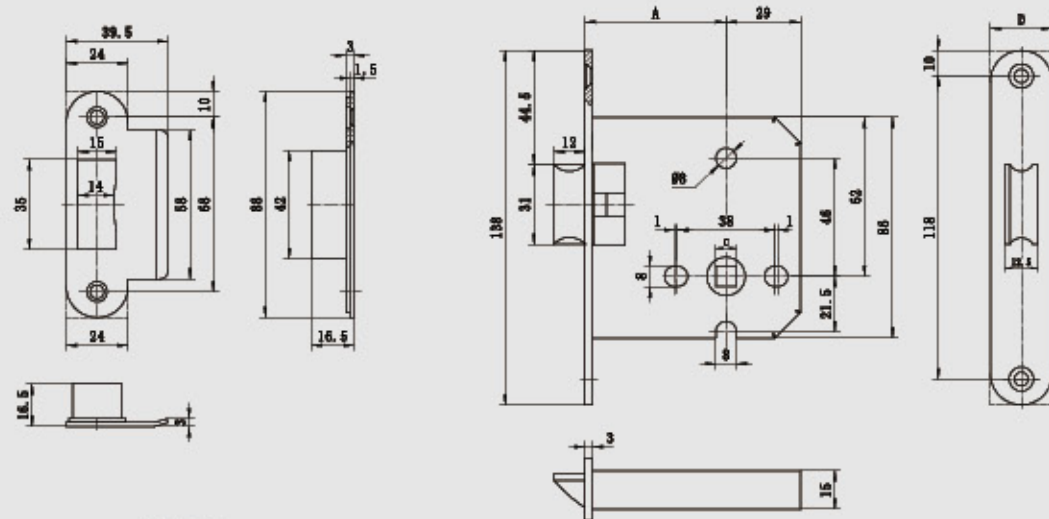
Type	round head, square head
Thickness	3mm
Width	20mm,22mm,23mm,24mm

**Forend finish**

Stainless steel	satin stainless steel polished stainless steel
Vacuum metallizing	satin brass PVD AB AC

**Accessories**

Striking plate  
Pocket  
Fixing screws



A = Backset  
B = Distance  
C = Follower  
D = Width

**Dead Bolt Lock**

**A55ZD**



**Features**

According to EN12209-Grade 3  
For wooden or steel doors  
For single-leaf doors  
Optional for rebated or non-rebated doors  
Suitable for external fire and smoke doors  
Prepared for profile cylinders  
With key action  
Deadbolt 2-turns

**Technical data**

Backset	45/55mm
---------	---------

**Forend**

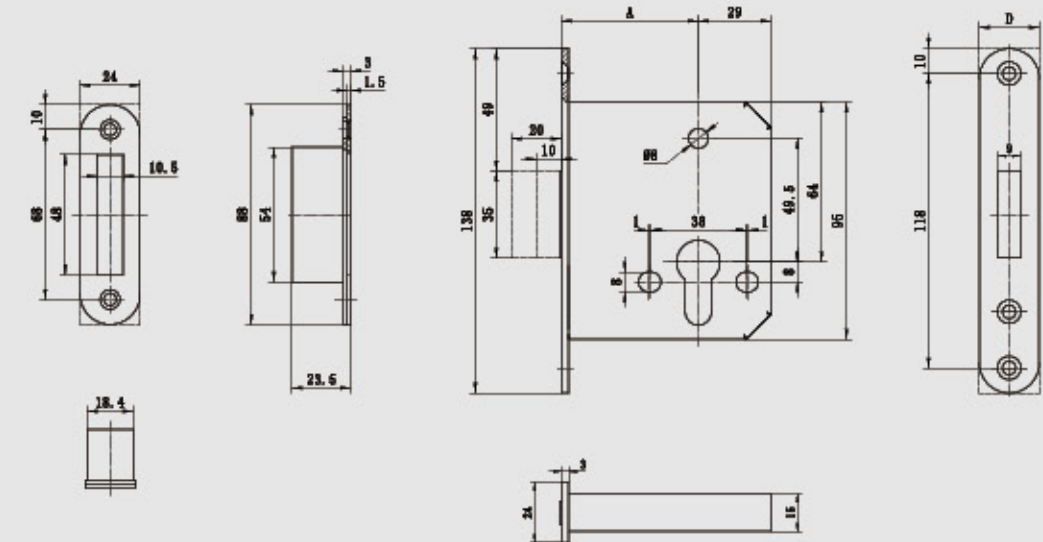
Type	round head, square head
Thickness	3mm
Width	20mm,22mm,23mm,24mm

**Forend finish**

Stainless steel	satin stainless steel polished stainless steel
Vacuum metallizing	satin brass PVD AB AC

**Accessories**

Striking plate  
Pocket  
Fixing screws



A = Backset  
B = Distance  
C = Follower  
D = Width

Dead Bolt Lock

# A55ZDF



**Features**

According to EN12209-Grade 3  
For wooden or steel doors  
For single-leaf doors  
Optional for rebated or non-rebated doors  
Suitable for external fire and smoke doors  
Deadbolt 1-turn

**Technical data**

Backset	55mm
---------	------

**Forend**

Type	round head, square head
Thickness	3mm
Width	20mm, 22mm, 23mm, 24mm

**Forend finish**

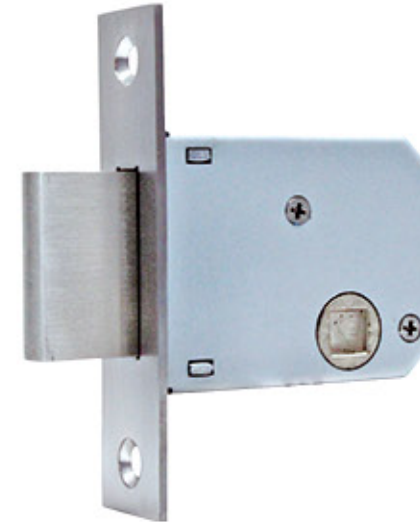
Stainless steel	satin stainless steel polished stainless steel
Vacuum metallizing	satin brass PVD AB AC

**Accessories**

Striking plate  
Pocket  
Fixing screws

# A45ZDG

Dead Bolt Lock



**Features**

According to EN 12209 - Grade 3  
For wooden or steel doors  
For single-leaf doors  
Optional for rebated or non-rebated doors  
Suitable for external fire and smoke doors  
Single dead bolt small lock body  
With follower action  
Deadbolt 1-turn

**Technical data**

Follower	5mm, 8mm
Backset	45mm

**Forend**

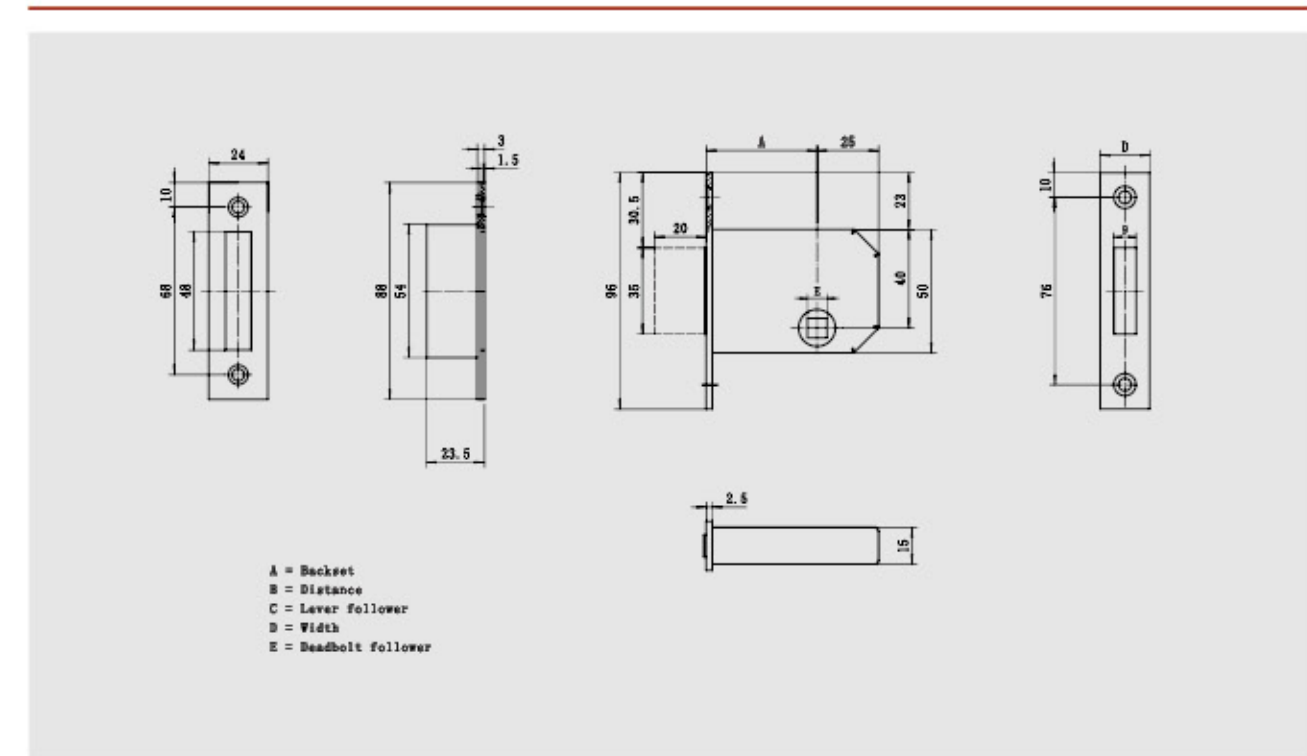
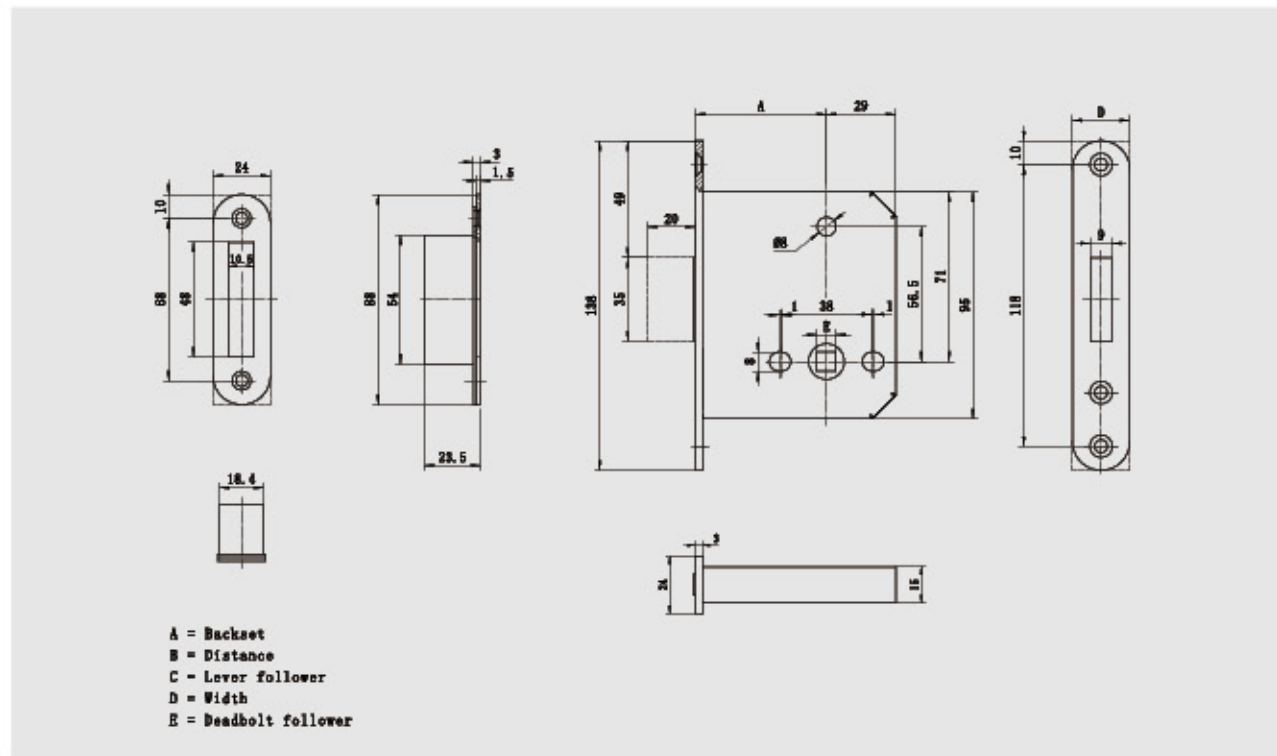
Type	square head
Length	96mm
Width	20mm

**Forend finish**

Stainless steel	satin stainless steel polished stainless steel
Vacuum metallizing	satin brass PVD AB AC

**Accessories**

Striking plate  
Pocket  
Fixing screws



*Mortise Deadbolt Lock*

**A35ZD**



**Features**

According to EN 12209-Grade 2  
For wooden or steel doors  
For rebated or flush doors  
For single-leaf doors  
Single deadbolt lock body  
Prepared for profile cylinders  
with key action  
Deadbolt 1-turn

**Technical data**

Bracket	35mm
---------	------

**Forend**

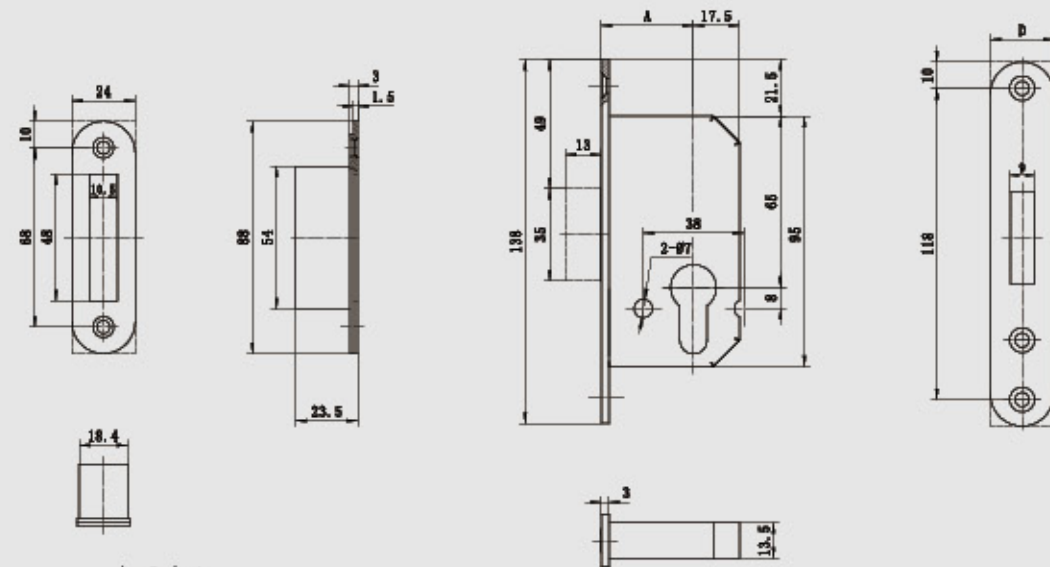
Type	square head
Thickness	3mm
Width	20mm,23mm,24mm

**Forend finish**

Stainless steel	satin stainless steel polished stainless steel
Vacuum metallizing	satin brass PVD AB AC

**Accessories**

Striking plate  
Pocket  
Fixing screws



A = Bracket  
B = Distance  
C = Follower  
D = Width

**A72HJ**

*Double Hook Lock*



**Features**

According to EN12209-Grade 2  
For sliding doors  
Double hook lock,driving by follower and cylinder  
Suitable for external fire and smoke doors  
Prepared for profile cylinders  
With key action  
1-turn

**Technical data**

Follower	8mm
Distance	72mm
Bracket	55mm

**Forend**

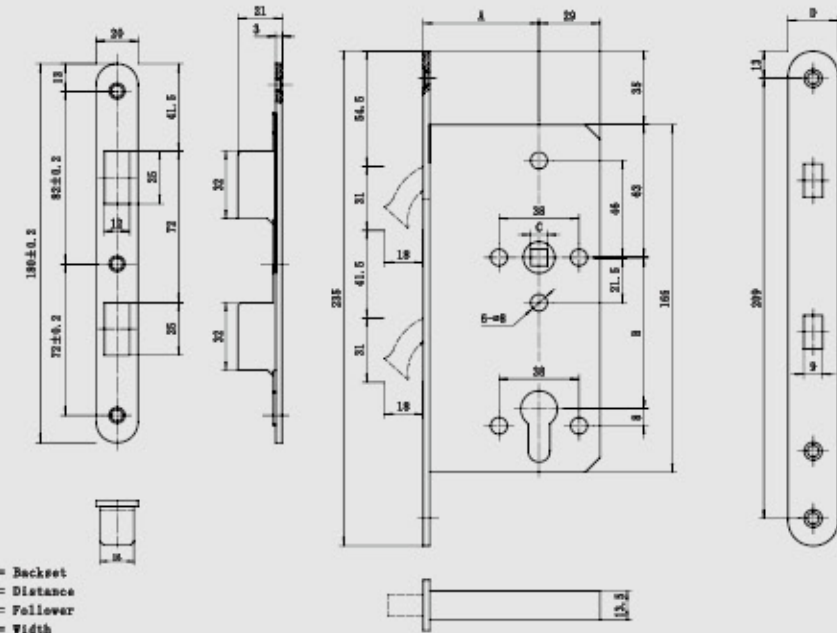
Type	square head,round head
Thickness	3mm
Width	20mm,24mm

**Forend finish**

Stainless steel	satin stainless steel polished stainless steel
Vacuum metallizing	satin brass PVD AB AC

**Accessories**

Striking plate  
Pocket  
Fixing screws



A = Bracket  
B = Distance  
C = Follower  
D = Width





Hook Lock

# A55HJ-E

**Features**

According to EN12209-Grade 3  
For sliding doors  
Suitable for external fire and smoke doors  
Straight hook lock, cylinder driving  
Prepared for profile cylinders  
With key action  
1-turn

**Technical data**

Backset	55mm
---------	------

**Forend**

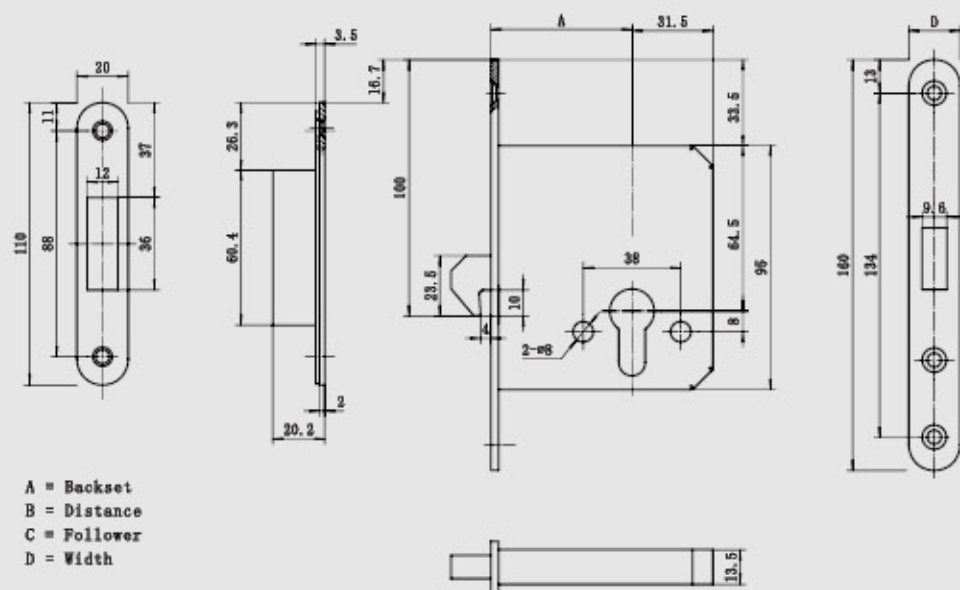
Type	square head, round head
Thickness	3mm
Width	20mm, 24mm

**Forend finish**

Stainless steel	satin stainless steel polished stainless steel
Vacuum metallizing	satin brass PVD AB AC

**Accessories**

Striking plate  
Pocket  
Fixing screws



# A55HJWC-E

Hook Lock

**Features**

According to EN12209-Grade 3  
For bathroom door, straight hook lock, follower driving  
Suitable for external fire and smoke doors  
with follower action  
1-turn

**Technical data**

Follower	8mm
Backset	55mm

**Forend**

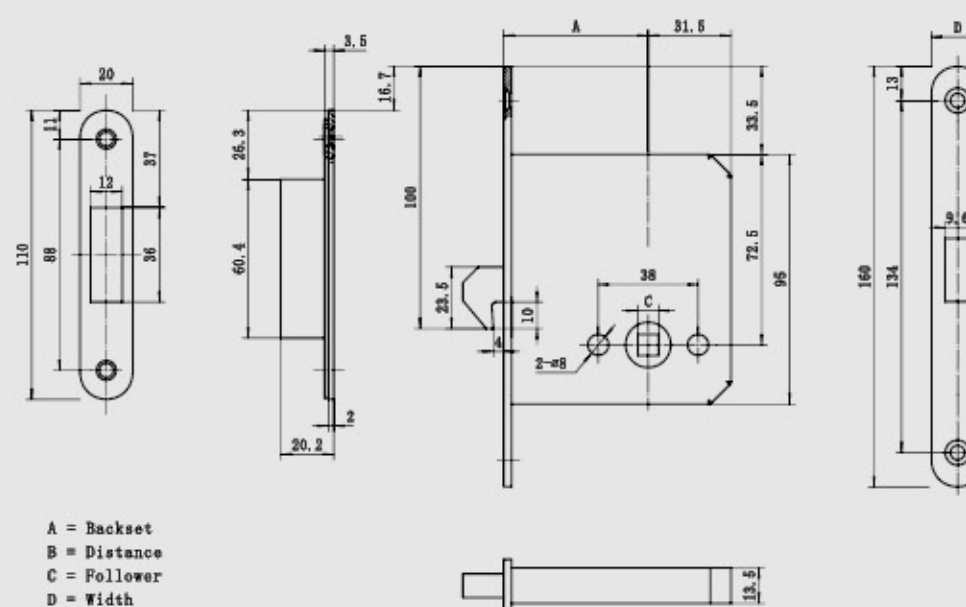
Type	square head, round head
Thickness	3mm
Width	20mm, 24mm

**Forend finish**

Stainless steel	satin stainless steel polished stainless steel
Vacuum metallizing	satin brass PVD AB AC

**Accessories**

Striking plate  
Pocket  
Fixing screws



Double hook lock

# A40ZDJ



**Features**

According to EN12209-Grade 3  
For sliding doors  
Suitable for external fire and smoke doors  
Prepared for profile cylinders  
2-turns

**Technical data**

Backset	40mm
---------	------

**Forend**

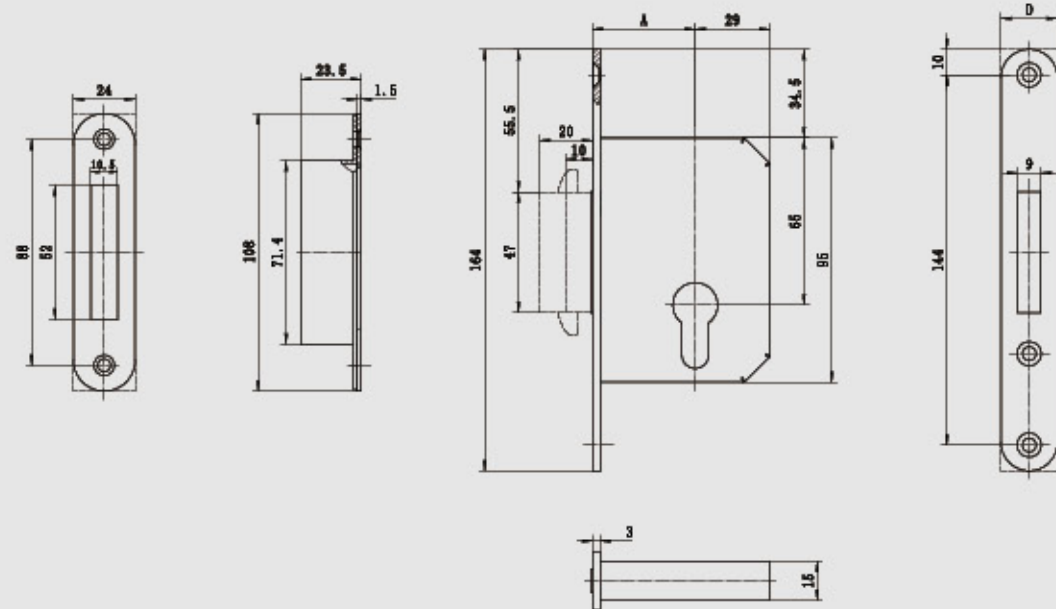
Type	round head, square head
Thickness	3mm
Width	20mm, 22mm, 23mm, 24mm

**Forend finish**

Stainless steel	satin stainless steel polished stainless steel
Vacuum metallizing	satin brass PVD AB AC

**Accessories**

Striking plate  
Pocket  
Fixing screws



A = Backset  
B = Distance  
C = Follower  
D = Width

# A20/30HJ

Narrow Hook Lock



**Features**

According to EN 12209 - Grade 2  
For sliding doors  
Suitable for external fire and smoke doors  
Prepared for profile cylinders  
1-turn

**Technical data**

Backset	20/30mm
---------	---------

**Forend**

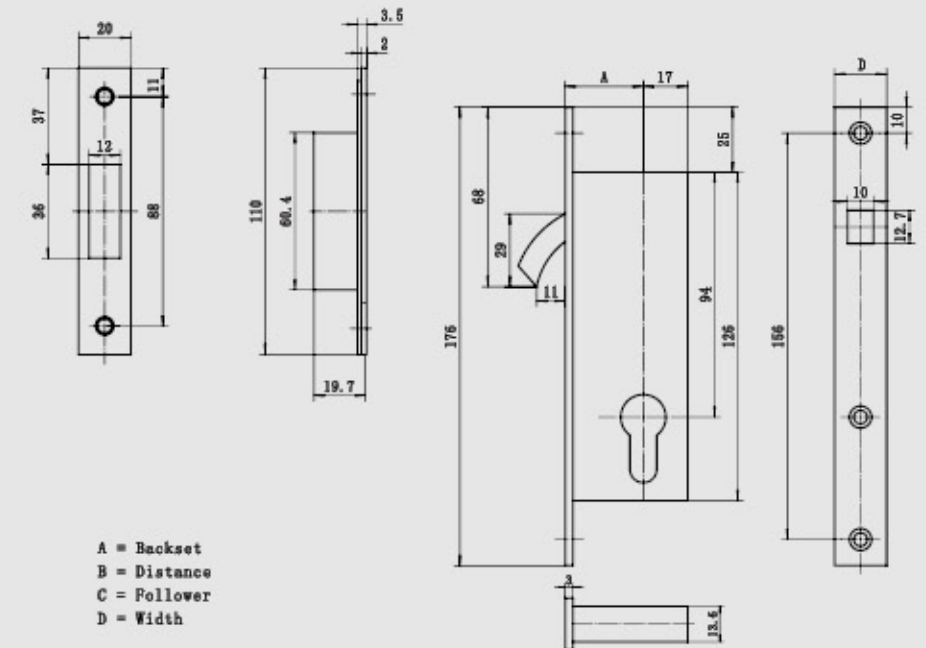
Type	square head
Thickness	3mm
Width	24mm

**Forend finish**

Stainless steel	satin stainless steel polished stainless steel
Vacuum metallizing	satin brass PVD AB AC

**Accessories**

Striking plate  
Pocket  
Fixing screws



A = Backset  
B = Distance  
C = Follower  
D = Width

Edge Pull Lock

# A55HLH



**Features**

For sliding doors  
Suitable for external fire and smoke doors  
Edge pull lock, edge pull can't drive

**Forend**

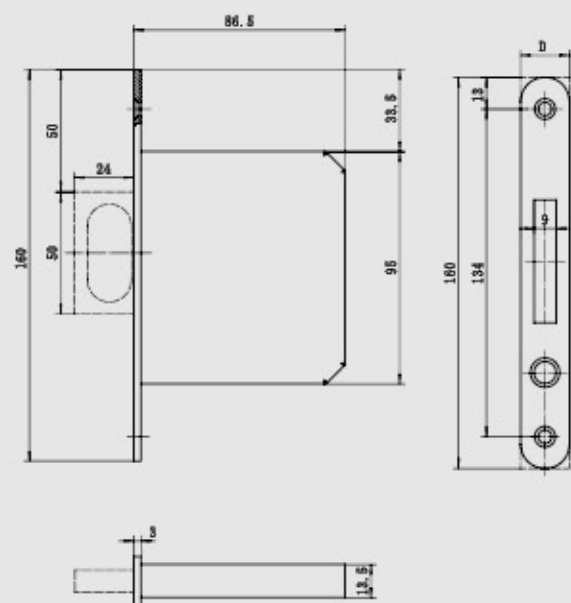
Type	square head ; round head
Thickness	3mm
Width	20mm, 24mm

**Forend finish**

Stainless steel	satin stainless steel, polished stainless steel
Vacuum metallizing	satin brass PVD AB AC

**Accessories**

Fixing screws



A = Backset  
B = Distance  
C = Follower  
D = Width

# A72HLHJ

Hook Lock with Edge Pull



**Features**

According to EN12209-Grade 2  
For sliding doors  
Suitable for external fire and smoke doors  
Hook lock with edge pull , prepared for profile cylinders  
1-turn

**Technical data**

Backset	55mm
---------	------

**Forend**

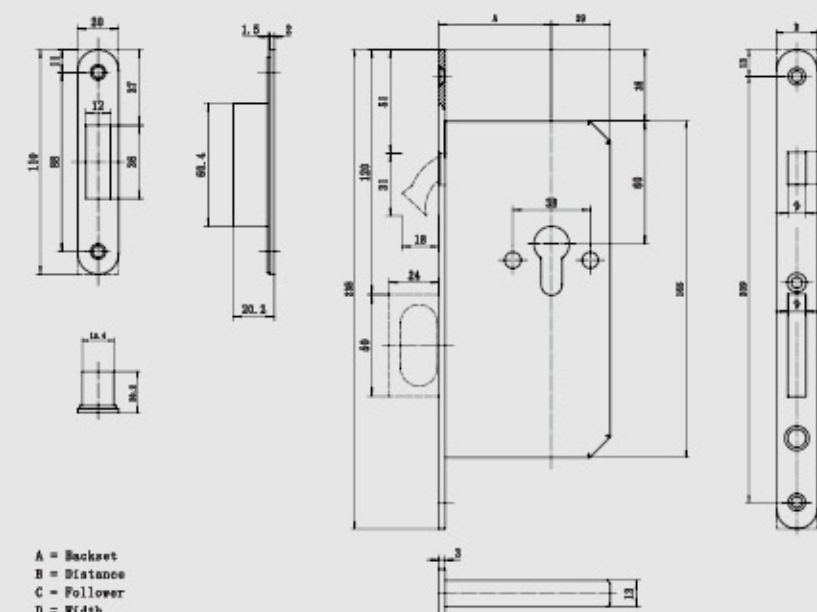
Type	square head ; round head
Thickness	3mm
Width	20mm, 24mm

**Forend finish**

Stainless steel	satin stainless steel, polished stainless steel
Vacuum metallizing	satin brass PVD AB AC

**Accessories**

Striking plate  
pocket  
Fixing screws



A = Backset  
B = Distance  
C = Follower  
D = Width

# AM21006



## Features

ANSI lock with SUS304  
 For wooden or steel doors  
 For rebated or flush doors  
 For left or right doors  
 In compliance with ANSI BHMA156.13  
 The setting of the conversion device can be done when the door is open.  
 Both latch and deadbolt can be retracted simultaneously from the inside by turning the knob/level from inside.  
 High security department function can be switched on by transforming device automatically as the door is locked  
 Fusible linkset inside the lock.

## Technical data

Follower	8mm
Distance	87mm
Backset	64mm

## Forend

Length	203mm
Thickness	1.5mm+3mm
Width	32mm

## Forend finish

Stainless steel	satin stainless steel polished stainless steel
Vacuum metallizing	satin brass PVD AB AC

## Accessories

Striking plate  
 Pocket  
 Fixing screws

